

SV44 Light

SURFACE MOUNTED, LED ARRAY,
12VDC or 24VDC



Introduction:

Congratulations on the purchase of your new surface mounted LED light. Underwater Lights® USA, LLC takes pride in providing well designed, high quality and thoroughly tested lights that allow you to “enhance your boating experience”. These lights can be installed in your vessel for aesthetics, to attract fish, for security and safety.

General Operating Information:

The commercial grade Light Emitting Diode (LED) technology used in this light will provide robust and reliable operation under normal operating conditions.

The light can be operated for a brief period of time when the vessel is out of the water, however, the light can be operated while the vessel is underway.

Depending upon water clarity conditions, the light beam can reach up to 9 meters (30 feet).

General Safety Information:

Always disconnect and lock-out power source before working on light.

This light should be attached to the flat surface of a fiberglass or wood hulled vessel.

Marine growth should be removed from the convex cylindrical lens using a soft brush to allow illumination to exit the light.

Technical Specifications:

Light source = White LED array with 6500 Kelvin color temperature and 1067 lumens or alternate Blue LED array - Approximately 10,000 hours life for each color - Internal thermal limit protection included

Light lens = Convex cylindrical borosilicate glass - 143mm (5.63”) long x 23mm (0.91”) high net aperture - 9.5mm (0.93”) thick

Light dimensions = 164mm (6.46”) long x 44mm (1.73”) high x 29mm (1.14”) thick - 216 grams (0.5 lbs)

Light construction = Black nylon and black thermoplastic

Power source = 11-28VDC input range - 1.47 Amps max - Operating temperature from -30°C (-22°F) to 50°C (122°F)

Troubleshooting:

Please contact our technical support staff in Florida at 1-954-760-4447, Monday to Friday from 8:00 am to 5:00 pm EST.

Warranty:

Underwater Lights® USA, LLC warrants this light to be free from defects in workmanship and materials for a period of two years from the date of original purchase. Further, misuse, abuse, improper installation, neglect, improper shipping, damage caused by disasters such as fire, flood and lightning, unauthorized repair or modifications will void said warranty. Should your light prove defective during the warranty period, promptly contact Underwater Lights® USA, LLC for an RMA number and then return the light freight prepaid with the RMA number clearly marked on the outside of the shipping container.

Underwater Lights USA, LLC
277 SW 33rd Court
Fort Lauderdale, FL 33315 USA
Phone: 1-954-760-4447
Fax: 1-954-525-3261
Internet: www.seavision.com
Email: sales@seavision.com

DOC:111807-4

Underwater Lights Europe Sarl
Résidence L'Hippocampe: 19, Avenue Thiers
06600 Antibes, France
Phone: 33-(0)-4-97-21-02-96
Fax: 33-(0)-4-97-21-10-96
Internet: www.seavision.com
Email: sales@seavisioneurope.com

SV44 Light

SURFACE MOUNTED, LED ARRAY,
12VDC or 24VDC



Installation:

This light should be installed at least 125-150mm (5-6") below the water line by qualified/approved personnel using proper tools and materials. **Important! To prevent lense breakage, mounting surface must be flat and have no raised imperfections. To prevent mounting tab breakage, carefully and evenly tighten the three Phillips Pan Head Screws (11) by hand using a screwdriver (do not use power tools!).**

For cable existing at top - After selecting an appropriate flat surface on the vessel hull, attach the light using three Phillips Pan Head Screws (11) and 3M 5200 marine adhesive or equivalent. Note: Depending upon installation surface material, three small pilot holes may be required. Caution! Check that no electrical wiring, fuel lines, oil lines, water lines etc., pass near the desired mounting location.

For cable existing at back - After selecting an appropriate flat surface on the vessel hull, drill an 8mm (5/16") diameter hole through said surface for electrical cable routing then attach the light using three Phillips Pan Head Screws (11) and 3M 5200 marine adhesive or equivalent. Note: Depending upon installation surface material, three small pilot holes may be required. Caution! Check that no electrical wiring, fuel lines, oil lines, water lines etc., pass near the desired mounting location.

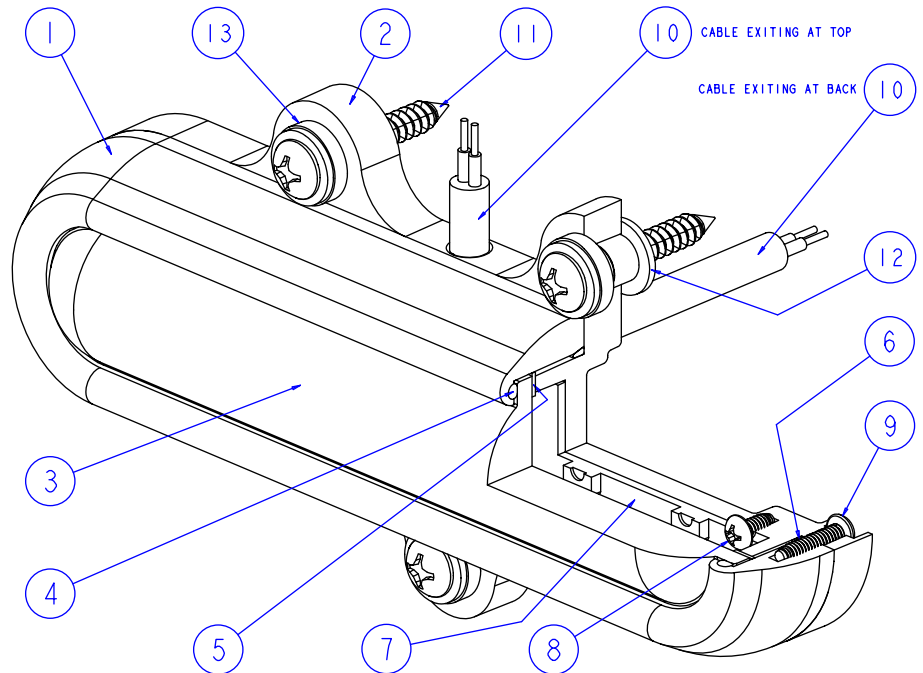
Route Electrical Cable (10) above the water line (or thru vessel hull) and into the vessel proper, then secure accordingly. Caution! Avoid making tight bends and/or passing electrical cable over sharp edges/surfaces. Connect RED wire lead to a switched and fused power source and connect BLACK wire lead to a good ground.

Serviceable Parts:

LED Array (7) and Electrical Cable (10) are not field serviceable on this light. However, Lense (3), Lense O-ring (4), Glass Gasket (5) and Back Cover O-ring (6) can be replaced by removing ten Phillips Pan Head Screws (9) and carefully separating Front Flange (1) from Back Cover (2). Note: Evenly hand tighten the ten Phillips Pan Head Screws (9) after carefully re-assembling said parts.

CABLE EXITING AT TOP - MODEL G18M15Z25-99Z99Z-23 WHITE, 12/24VDC		
CABLE EXITING AT TOP - MODEL G18M15Z26-99Z99Z-23 BLUE, 12/24VDC		
CABLE EXITING AT BACK - MODEL G18M15Z25-99Z99Z-24 WHITE, 12/24VDC		
CABLE EXITING AT BACK - MODEL G18M15Z26-99Z99Z-24 BLUE, 12/24VDC		

BALLOON	PART	DESCRIPTION
1	44006	FRONT FLANGE
2	44062	BACK COVER
3	44011	LENSE
4	44045	LENSE O-RING
5	44034	GLASS GASKET
6	44046	BACK COVER O-RING
7	44047 44048	WHITE LED ARRAY BLUE LED ARRAY
8	44058	No. 4-24 x 1/4 LG SST PPHS
9	44067	No. 4-24 x 1/2 LG SST PPHS
10	44050	ELECTRICAL CABLE
11	44061	No. 10 x 1-1/4" LG SST PPHS
12	44068	TAB BUSHING
13	44069	TAB WASHER



Underwater Lights USA, LLC
277 SW 33rd Court
Fort Lauderdale, FL 33315 USA
Phone: 1-954-760-4447
Fax: 1-954-525-3261
Internet: www.seavision.com
Email: sales@seavision.com

DOC:111807-4

Underwater Lights Europe Sarl
Résidence L'Hippocampe: 19, Avenue Thiers
06600 Antibes, France
Phone: 33-(0)-4-97-21-02-96
Fax: 33-(0)-4-97-21-10-96
Internet: www.seavision.com
Email: sales@seavisioneurope.com