

SV43 Light

THRU HULL, LED ARRAY, 12VDC



Introduction:

Congratulations on the purchase of your new thru hull LED light. Underwater Lights® USA, LLC takes pride in providing well designed, high quality and thoroughly tested lights that allow you to “enhance your boating experience”. These lights can be installed in your vessel for aesthetics, to attract fish, for security and safety.

General Operating Information:

The commercial grade Light Emitting Diode (LED) technology used in this light will provide robust and reliable operation under normal operating conditions.

The light can be operated for a brief period of time when the vessel is out of the water, but, it is crucial that the vessel is in the water to ensure proper light source cooling, however, the light can be operated while the vessel is underway.

Depending upon water clarity conditions, the light beam can reach up to 6 meters (20 feet).

General Safety Information:

This light is intended for use on fiberglass and wood hulled vessels.

Never try to install or remove this light while the vessel is in the water.

The body of the light must be electrically joined to the vessels grounding and cathodic protection system. Failure to do so may cause corrosion.

Always disconnect and lock-out power before working on light.

The light should be visually inspected every six months.

The light electrical cabling should be visually inspected for proper operating condition every six months

Marine growth should be removed from the glass using a soft brush to allow illumination to exit the light.

Technical Specifications:

Light source = White LED array - 200 Lumens - 6500 Kelvin color temperature - 2.5 Watts or Blue LED array - 60 Lumens - 2.5 Watts - Approximately 10,000 hours life for each

Glass = Convex crown glass - 13mm (0.51”) thick - 28.5mm (1.12”) diameter net aperture

Light dimensions = 60mm (2.36”) diameter x 168mm (6.61”) long - 661 grams (1.5 lbs)

Construction = Marine bronze

Power source = 12VDC - 0.35 Amps maximum - Operating temperature from -30°C (-22°F) to 85°C (185°F)

Troubleshooting:

Please contact our technical support staff in Florida at 1-954-760-4447, Monday to Friday from 8:00 am to 5:00 pm EST.

Warranty:

Underwater Lights® USA, LLC warrants this light to be free from defects in workmanship and materials for a period of two years from the date of original purchase. Further, misuse, abuse, improper installation, neglect, improper shipping, damage caused by disasters such as fire, flood and lightning, unauthorized repair or modifications will void said warranty. Should your light prove defective during the warranty period, promptly contact Underwater Lights® USA, LLC for an RMA number and then return the light freight prepaid with the RMA number clearly marked on the outside of the shipping container.

Underwater Lights USA, LLC
277 SW 33rd Court
Fort Lauderdale, FL 33315 USA
Phone: 1-954-760-4447
Fax: 1-954-525-3261
Internet: www.seavision.com
Email: sales@seavision.com



DOC:060707-3W

Underwater Lights Europe Sarl
Résidence L'Hippocampe: 19, Avenue Thiers
06600 Antibes, France
Phone: 33-(0)-4-97-21-02-96
Fax: 33-(0)-4-97-21-10-96
Internet: www.seavision.com
Email: sales@seavisioneurope.com

SV43 Light

THRU HULL, LED ARRAY, 12VDC



Installation:

This light should be installed at least 125-150mm (5-6") below the water line by qualified/approved personnel using proper tools and materials. The minimum hull thickness is 10mm (0.4") and maximum is 102mm (4"). After selecting a flat surface, cut a 19mm (0.75") diameter hole through the vessel hull in the desired location. Caution! Check that no electrical wiring, fuel lines, oil lines, water lines etc., pass near or through the intended hole location.

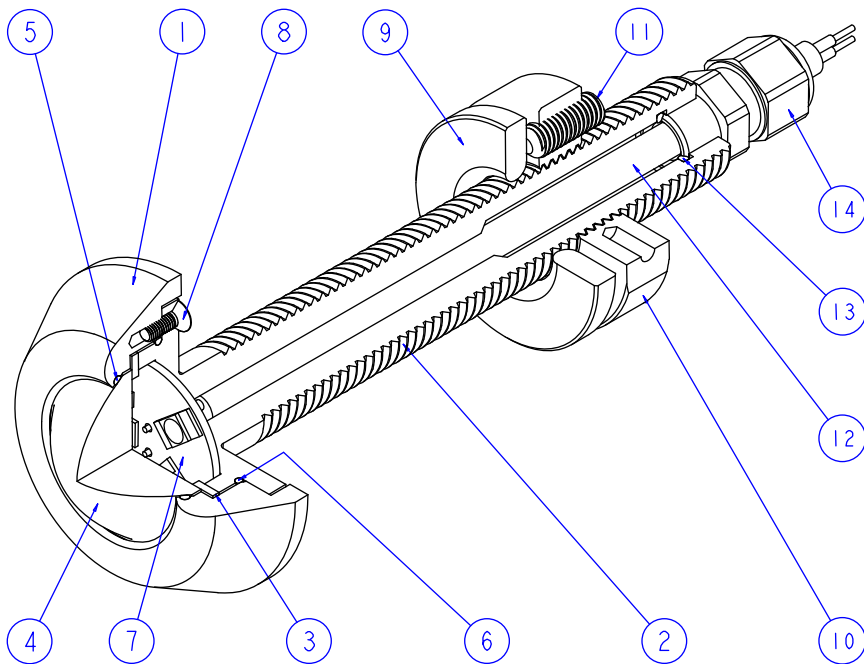
Remove Locking Ring (10) and Compression Ring (9) from Main Body (2). Carefully coat Main Body (2) and inner surface of hull hole with 3M 5200 Marine Adhesive or equivalent. Caution! Avoid placing excess adhesive on Main Body (2) threads. Note: Exposed inner hole surface must be properly sealed before light installation to prevent potential water intrusion into the hull proper. Holding Front Flange (1), push Main Body (2) through hull hole, slide Compression Ring (9) over Main Body (2), and then install Locking Ring (10) hand tight. Note: Ensure that the tips of all three Set Screws (11) are NOT touching Compression Ring (9). After the 3M 5200 Marine Adhesive is fully cured, evenly tighten three Set Screws (11) to 7 Nm (5 ft/lbs) using a 3mm allen wrench. Also, it is highly recommended that Front Flange (1) be coated with antifouling paint and a wire lead be connected from Locking Ring (10) tapped hole (M4 x 0.7 thread) to the vessels grounding and cathodic protection system.

Connect RED wire lead to a switched and fused power source and connect BLACK wire lead to a good ground.

Serviceable Parts:

The LED Array (7) and Electrical Cable (12) are not field serviceable on this light, but Strain Relief O-ring (13) and Cable Strain Relief (14) are field serviceable. Also, Convex Glass (4), Glass O-ring (5) and Main Body O-ring (6) can be replaced by removing five Socket Flat Head Screws (8) and carefully separating Front Flange (1) from Main Body (2). Note: Evenly hand tighten the five Socket Flat Head Screws (8) after carefully re-assembling said parts.

BALLOON	DESCRIPTION
1	FRONT FLANGE, BRONZE*
2	MAIN BODY, BRONZE*
3	GLASS BACKUP RING
4	CONVEX GLASS
5	GLASS O-RING
6	MAIN BODY O-RING
7	WHITE OR BLUE LED ARRAY
8	M3 x 0.5 x 8 LG SST SOCKET FLAT HEAD SCREW
9	COMPRESSION RING, BRONZE*
10	LOCKING RING, BRONZE*
11	M6 x 1.0 x 16LG SST SOCKET SET SCREW
12	ELECTRICAL CABLE
13	STRAIN RELIEF O-RING
14	CABLE STRAIN RELIEF
*PLEASE CALL FOR OTHER LIGHT COMPONENT CONFIGURATIONS	



Underwater Lights USA, LLC
 277 SW 33rd Court
 Fort Lauderdale, FL 33315 USA
 Phone: 1-954-760-4447
 Fax: 1-954-525-3261
 Internet: www.seavision.com
 Email: sales@seavision.com



DOC:060707-3W

Underwater Lights Europe Sarl
 Résidence L'Hippocampe: 19, Avenue Thiers
 06600 Antibes, France
 Phone: 33-(0)-4-97-21-02-96
 Fax: 33-(0)-4-97-21-10-96
 Internet: www.seavision.com
 Email: sales@seavisioneurope.com