

SV43 Light

SURFACE MOUNTED, LED ARRAY, 12VDC



Introduction:

Congratulations on the purchase of your new surface mounted LED light. Underwater Lights Lights® USA, LLC takes pride in providing well designed, high quality and thoroughly tested lights that allow you to “enhance your boating experience”. These lights can be installed in your vessel for aesthetics, to attract fish, for security and safety.

General Operating Information:

The commercial grade Light Emitting Diode (LED) technology used in this light will provide robust and reliable operation under normal operating conditions.

The light can be operated for a brief period of time when the vessel is out of the water, but, it is crucial that the vessel is in the water to ensure proper light source cooling, however, the light can be operated while the vessel is underway.

Depending upon water clarity conditions, the light beam can reach up to 6 meters (20 feet).

General Safety Information:

This light is intended for use on fiberglass and wood hulled vessels.

Always disconnect and lock-out power before working on light.

Marine growth should be removed from the glass using a soft brush to allow illumination to exit the light.

Technical Specifications:

Light source = White LED array - 200 Lumens - 6500 Kelvin color temperature - 2.5 Watts or Blue LED array - 60 Lumens - 2.5 Watts - Approximately 10,000 hours life for each

Glass = Convex crown glass - 13mm (0.51”) thick - 28.5mm (1.12”) diameter net aperture

Light dimensions = 75mm (2.95”) diameter x 29mm (1.14”) long - 565 grams (1.2 lbs)

Construction = Marine bronze

Power source = 12VDC - 0.35 Amps maximum - Operating temperature from -30°C (-22°F) to 85°C (185°F)

Troubleshooting:

Please contact our technical support staff in Florida at 1-954-760-4447, Monday to Friday from 8:00 am to 5:00 pm EST.

Warranty:

Underwater Lights® USA, LLC warrants this light to be free from defects in workmanship and materials for a period of two years from the date of original purchase. Further, misuse, abuse, improper installation, neglect, improper shipping, damage caused by disasters such as fire, flood and lightning, unauthorized repair or modifications will void said warranty. Should your light prove defective during the warranty period, promptly contact Underwater Lights® USA, LLC for an RMA number and then return the light freight prepaid with the RMA number clearly marked on the outside of the shipping container.

Underwater Lights USA, LLC
277 SW 33rd Court
Fort Lauderdale, FL 33315 USA
Phone: 1-954-760-4447
Fax: 1-954-525-3261
Internet: www.seavision.com
Email: sales@seavision.com



DOC:060607-3W

Underwater Lights Europe Sarl
Résidence L'Hippocampe: 19, Avenue Thiers
06600 Antibes, France
Phone: 33-(0)-4-97-21-02-96
Fax: 33-(0)-4-97-21-10-96
Internet: www.seavision.com
Email: sales@seavisioneurope.com

SV43 Light

SURFACE MOUNTED, LED ARRAY, 12VDC



Installation:

This light should be installed at least 125-150mm (5-6") below the water line by qualified/approved personnel using proper tools and materials.

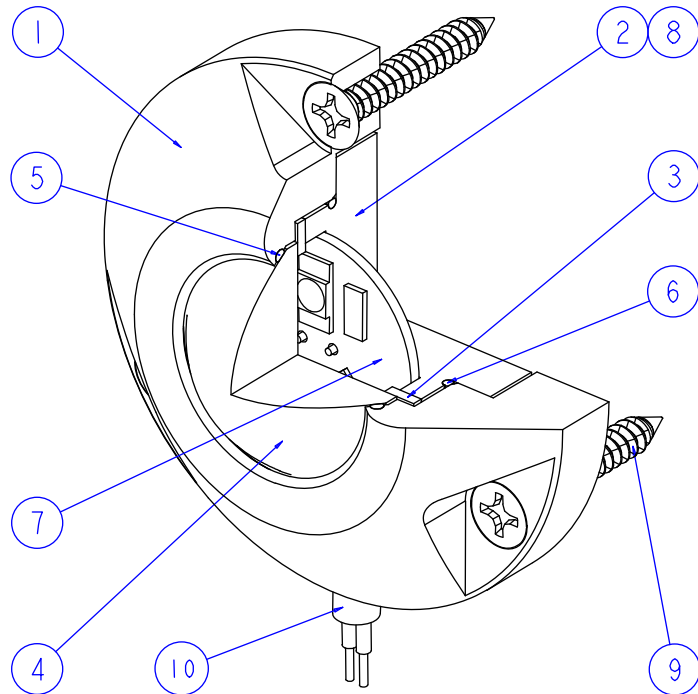
Select a flat surface at the desired location on the vessel hull then orient and attach the light using three Phillips Flat Head Screws (9) and 3M 5200 Marine Adhesive or equivalent . Note: Depending upon installation surface material, three small pilot holes may be required. Caution! Check that no electrical wiring, fuel lines, oil lines, water lines etc., pass near the desired mounting location.

Route Electrical Cable (10) above the water line and into the vessel proper, then secure accordingly. Connect RED wire lead to a switched and fused power source and connect BLACK wire lead to a good ground.

Serviceable Parts:

LED Array (7) and Electrical Cable (10) are not field serviceable on this light. However, Convex Glass (4), Glass O-ring (5) and Back Cover O-ring (6) can be replaced by removing five Socket Flat Head Screws (8) and carefully separating Main Body (1) from Back Cover (2). Note: Evenly hand tighten the five Socket Flat Head Screws (8) after carefully re-assembling said parts.

BALLOON	DESCRIPTION
1	MAIN BODY, BRONZE*
2	BACK COVER, BRONZE*
3	GLASS BACKUP RING
4	CONVEX GLASS
5	GLASS O-RING
6	BACK COVER O-RING
7	WHITE OR BLUE LED ARRAY
8	M3 x 0.5 x 12 LG STAINLESS STEEL SOCKET FLAT HEAD SCREW
9	No. 10 x 1-1/4" LG STAINLESS STEEL PHILLIPS FLAT HEAD SCREW
10	ELECTRICAL CABLE
*PLEASE CALL FOR OTHER LIGHT COMPONENT CONFIGURATIONS	



Underwater Lights USA, LLC
 277 SW 33rd Court
 Fort Lauderdale, FL 33315 USA
 Phone: 1-954-760-4447
 Fax: 1-954-525-3261
 Internet: www.seavision.com
 Email: sales@seavision.com



DOC:060607-3W

Underwater Lights Europe Sarl
 Résidence L'Hippocampe: 19, Avenue Thiers
 06600 Antibes, France
 Phone: 33-(0)-4-97-21-02-96
 Fax: 33-(0)-4-97-21-10-96
 Internet: www.seavision.com
 Email: sales@seavisioneurope.com