

# SV42 Light

SURFACE MOUNTED, LED ARRAY,  
12VDC or 24VDC



## ***Introduction:***

Congratulations on the purchase of your new surface mounted LED light. Underwater Lights® USA, LLC takes pride in providing well designed, high quality and thoroughly tested lights that allow you to “enhance your boating experience”. These lights can be installed in your vessel for aesthetics, to attract fish, for security and safety.

## ***General Operating Information:***

The commercial grade Light Emitting Diode (LED) technology used in this light will provide robust and reliable operation under normal operating conditions.

The light can be operated for a brief period of time when the vessel is out of the water, however, the light can be operated while the vessel is underway.

Depending upon water clarity conditions, the light beam can reach up to 9 meters (30 feet).

## ***General Safety Information:***

This light is intended for use on fiberglass and wood hulled vessels.

Always disconnect and lock-out power before working on light.

Marine growth should be removed from the convex glass using a soft brush to allow illumination to exit the light.

## ***Technical Specifications:***

Light source = White LED array - 6500 Kelvin color temperature or Blue LED array - Approximately 10,000 hours life for each

Light glass = Convex crown glass - 23.5mm (0.93”) thick - 57mm (2.2”) diameter net aperture

Light dimensions = 100mm (3.94”) diameter x 46.5mm (1.83”) long - 1407 grams (3.1 lbs)

Light construction = Marine bronze

Power module enclosure dimensions = 137mm (5.39”) long x 65mm (2.56”) wide x 55mm (2.17”) tall - 270 grams (1 pound)

Module enclosure power = 12VDC - 1.4 Amps. 24VDC - 0.73 Amps - Operating temperature from -30°C (-22°F) to 50°C (122°F)

## ***Troubleshooting:***

Please contact our technical support staff in Florida at 1-954-760-4447, Monday to Friday from 8:00 am to 5:00 pm EST.

## ***Warranty:***

Underwater Lights® USA, LLC warrants this light to be free from defects in workmanship and materials for a period of two years from the date of original purchase. Further, misuse, abuse, improper installation, neglect, improper shipping, damage caused by disasters such as fire, flood and lightning, unauthorized repair or modifications will void said warranty. Should your light prove defective during the warranty period, promptly contact Underwater Lights® USA, LLC for an RMA number and then return the light freight prepaid with the RMA number clearly marked on the outside of the shipping container.

Underwater Lights USA, LLC  
277 SW 33rd Court  
Fort Lauderdale, FL 33315 USA  
Phone: 1-954-760-4447  
Fax: 1-954-525-3261  
Internet: [www.seavision.com](http://www.seavision.com)  
Email: [sales@seavision.com](mailto:sales@seavision.com)



DOC:073007-4W

Underwater Lights Europe Sarl  
Résidence L'Hippocampe: 19, Avenue Thiers  
06600 Antibes, France  
Phone: 33-(0)-4-97-21-02-96  
Fax: 33-(0)-4-97-21-10-96  
Internet: [www.seavision.com](http://www.seavision.com)  
Email: [sales@seavisioneurope.com](mailto:sales@seavisioneurope.com)

# SV42 Light

SURFACE MOUNTED, LED ARRAY,  
12VDC or 24VDC



## Installation:

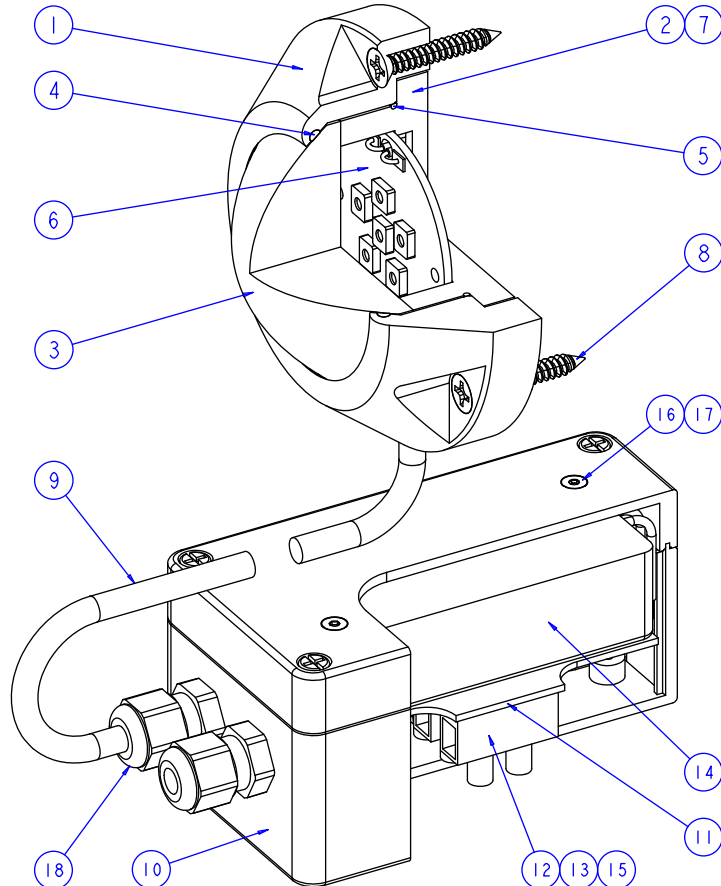
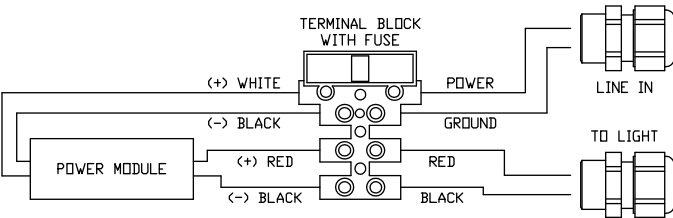
This light should be installed at least 125-150mm (5-6") below the water line by qualified/approved personnel using proper tools and materials.

Select a flat surface at the desired location on the vessel hull then orient and attach the light using three Phillips Flat Head Screws (8) and 3M 4200 Marine Adhesive or equivalent . Note: Depending upon installation surface material, three small pilot holes may be required. Caution! Check that no electrical wiring, fuel lines, oil lines, water lines etc., pass near the desired mounting location.

Route Electrical Cable (9) above the water line and into the vessel proper. Mount the Power Module Enclosure (10) in a safe dry location and route electrical cables to it accordingly. Caution! Avoid making tight bends and/or passing electrical cables over sharp edges/surfaces. Make remaining electrical connections in the Power Module Enclosure (10) per wiring diagram below.

## Serviceable Parts:

LED Array (6) and Electrical Cable (9) are not field serviceable on this light. However, Convex Glass (3), Glass O-ring (4) and Back Cover O-ring (5) can be replaced by removing five Socket Flat Head Screws (7) and carefully separating Main Body (1) from Back Cover (2). Note: Evenly hand tighten the five Socket Flat Head Screws (7) after carefully re-assembling said parts. Fast Blow Fuse (13) can be replaced by loosening four screws, removing Power Module Enclosure (10) lid and removing fuse holder.



BALLOON	DESCRIPTION
1	MAIN BODY, BRONZE*
2	BACK COVER, BRONZE*
3	CONVEX GLASS
4	GLASS O-RING
5	BACK COVER O-RING
6	WHITE LED ARRAY BLUE LED ARRAY
7	M3 x 0.5 x 12 LG SST SOCKET FHS
8	No. 10 x 1-1/4" LG SST PHILLIPS FHS
9	ELECTRICAL CABLE
10	POWER MODULE ENCLOSURE
11	MOUNTING PLATE
12	FUSED TERMINAL BLOCK
13	FAST BLOW FUSE
14	LED POWER MODULE
15	M3.5 x 0.6 x 12 LG PHILLIPS FHS
16	M3 x 0.5 x 30 LG SST SOCKET FHS
17	M3 x 0.5 SST HEX NUT
18	CABLE STRAIN RELIEF

\*PLEASE CALL FOR OTHER LIGHT COMPONENT CONFIGURATIONS

Underwater Lights USA, LLC  
277 SW 33rd Court  
Fort Lauderdale, FL 33315 USA  
Phone: 1-954-760-4447  
Fax: 1-954-525-3261  
Internet: www.seavision.com  
Email: sales@seavision.com



DOC:073007-4W

Underwater Lights Europe Sarl  
Résidence L'Hippocampe: 19, Avenue Thiers  
06600 Antibes, France  
Phone: 33-(0)-4-97-21-02-96  
Fax: 33-(0)-4-97-21-10-96  
Internet: www.seavision.com  
Email: sales@seavisioneuropa.com