

SV37 Light

120VAC/250W
240VAC/250W



Introduction:

Congratulations on the purchase of your new weld-in light (**Patent Pending**) for **ALUMINUM** hulled vessels. Underwater Lights® USA, LLC takes pride in providing well designed, high quality and thoroughly tested lights that allow you to “enhance your boating experience”. These lights can be installed in your vessel for aesthetics, to attract fish, for security and safety.

General Operating Information:

The 250W, HID, gas discharge lamp used in this light is not an instant re-strike lamp. This means that it must be allowed to cool for approximately 10 to 20 minutes after being shut off before being restarted. HID lamps generally require approximately 2 minutes to reach full brightness and should be left on for a minimum of 10 minutes. Failure to do so may cause the lamp to flicker when it is turned on the next time.

The light can be operated for a brief period of time when the vessel is out of the water, but, it is crucial that the vessel is in the water to ensure proper lamp cooling, however, the light can be operated while the vessel is underway.

Depending upon water clarity conditions, the light beam can reach up to 30 meters (100 feet).

General Safety Information:

This light must be welded into a ALUMINUM hulled vessel in accordance with common ship building practices.

Never try to install or remove this light while the vessel is in the water.

High temperature silicone electrical cable must be used between the light and the ballast, standard ships cable can be used from the A/C power source to the ballast.

Upon proper installation, this light will become part of the vessels grounding and cathodic protection system.

Always disconnect and lock-out power before working on light.

The light should be inspected for moisture every six months.

The light electrical cabling and ballast box should be visually inspected for proper operating condition every six months.

Marine growth should be removed from the glass using a soft brush to allow both heat and illumination to exit the light.

Technical Specifications:

Lamp = 250 Watt - Metal halide - 20,000 Lumens - 8000 Kelvin color temperature - Approximately 3,000 hours life

Glass = Borosilicate glass - 20mm (0.79”) thick - 86mm (3.39”) diameter net aperture

Light Common Body Dimensions = 110mm (4.33”) diameter x 188mm (7.4”) long

Smallest Front Flange Dimensions = 175mm (6.89”) diameter x 120mm (4.7”) long

Largest Front Flange Dimensions = 226mm (8.89”) diameter x 359mm (14.1”) long

Construction = Bright dip anodized marine aluminum alloy - Black anodized marine aluminum alloy

Power supply = 120VAC 50/60Hz input, 2.38 Amps - Minimum operating temperature -30°C (-22°F)

OR

Power supply = 240VAC 50/60Hz input, 1.15 Amps - Minimum operating temperature -30°C (-22°F)

Troubleshooting:

Please contact our technical support staff in Florida at 1-954-760-4447, Monday to Friday from 8:00 am to 5:00 pm EST.

Warranty:

Underwater Lights® USA, LLC warrants this light to be free from defects in workmanship and materials for a period of two years from the date of original purchase (except lamps). Further, misuse, abuse, improper installation, neglect, improper shipping, damage caused by disasters such as fire, flood and lightning, unauthorized repair or modifications will void said warranty. Should your light prove defective during the warranty period, promptly contact Underwater Lights® USA, LLC for an RMA number and then return the light freight prepaid with the RMA number clearly marked on the outside of the shipping container.

Underwater Lights USA, LLC
277 SW 33rd Court
Fort Lauderdale, FL 33315 USA
Phone: 1-954-760-4447
Fax: 1-954-525-3261
Internet: www.seavision.com
Email: sales@seavision.com

DOC:121706-3W

Underwater Lights Europe Sarl
Résidence L'Hippocampe: 19, Avenue Thiers
06600 Antibes, France
Phone: 33-(0)-4-97-21-02-96
Fax: 33-(0)-4-97-21-10-96
Internet: www.seavision.com
Email: sales@seavisioneurope.com

SV37 Light

120VAC/250W
240VAC/250W



Installation:

This light should be installed at least 250-300mm (10-12") below the water line by qualified/approved personnel using proper tools, welding procedures and materials. An access area of at least 75mm (3") should be left behind the light for lamp servicing and general ventilation.

After selecting a location, cut an appropriate sized hole through the vessel hull. Note: Hole size will be defined by the specific weld-in Front Flange (22) that came with the light. Caution! Check that no electrical wiring, fuel lines, oil lines, water lines etc., pass near or through the intended hole location.

Place the supplied Front Flange (22) into said hole and following common ship building practices, permanently weld-in place. Note: Leave the factory installed block-off disk on the supplied Front Flange (22) until final light assembly.

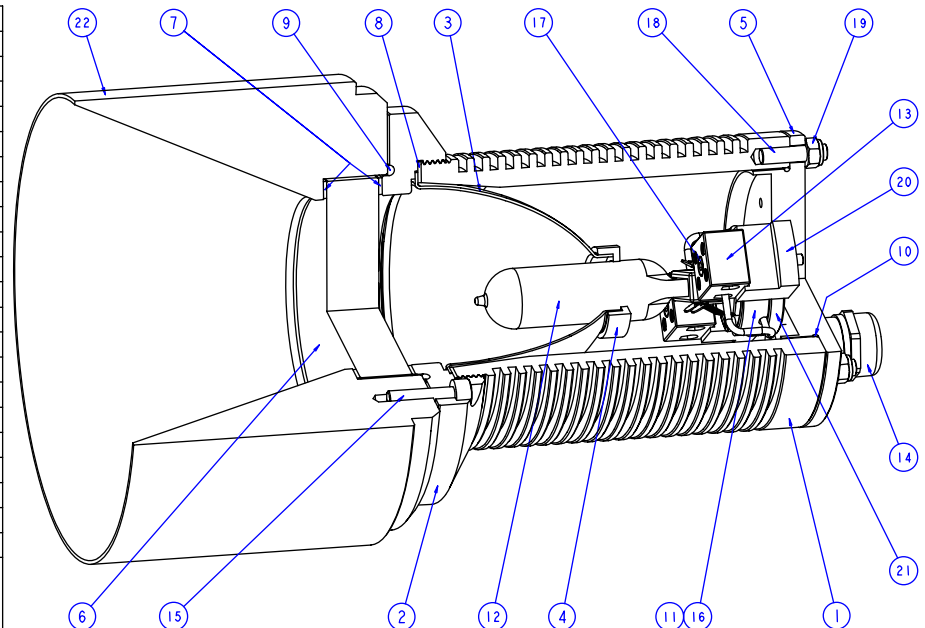
Final light assembly - Remove Front Flange (22) block-off disk and clean all surfaces. Install two Glass Gaskets (7) [one gasket on either side of glass], Glass (6), Retaining Flange O-ring (9) and Glass Retaining Flange (2) using eight fasteners (15) tightened in a criss-cross pattern to 9 Nm (7 ft/lbs) using a 5mm allen wrench. Install Reflector (3), Main Body Gasket (8) and Main Body (1) into Glass Retaining Flange (2), then tighten Main Body (1) to 40 Nm (30 ft/lbs). Note: Apply anti-seize compound to Main Body (1) threads. After making proper electrical connections (see ballast manual), attach Projector Lid (5) to Main Body (1) using six Nuts (19) evenly tightened to 2 Nm (1.5 ft/lbs). Note: Upon completing light installation, it is highly recommended that Front Flange (22) be coated with antifouling paint.

Serviceable Parts:

Lamp replacement is done by removing six Nuts (19) and Projector Lid (5), pulling old Lamp (12) out of Lamp Socket (11), carefully pushing new Lamp (12) into Lamp Socket (11) and then reversing said procedure. Note: Evenly tighten six Nuts (19) to 2 Nm (1.5 ft/lbs). Caution! Ensure that new lamp is clean and free of dust, dirt, grease, oil, water and finger prints.

Glass (6) replacement is done by removing eight fasteners (15), Glass Retaining Flange (2) with attached Main Body (1) and Glass Gaskets (7) while the boat is out of the water. Upon thoroughly cleaning all surfaces, reverse said procedure to assemble new Glass (6) and Glass Gaskets (7). Note: Tighten fasteners (15) in a criss-cross pattern to 9 Nm (7 ft/lbs) using a 5mm allen wrench.

BALLOON	DESCRIPTION
1	MAIN BODY
2	GLASS RETAINING FLANGE
3	REFLECTOR
4	REFLECTOR BUSHING
5	PROJECTOR LID
6	GLASS
7	GLASS GASKET
8	MAIN BODY GASKET
9	RETAINING FLANGE O-RING
10	PROJECTOR LID O-RING
11	LAMP SOCKET
12	LAMP, 250 WATT
13	PORCELAIN TERMINAL BLOCK
14	CABLE STRAIN RELIEF
15	M6 x 1.0 x 25LG SST SHCS
16	M3 x 0.5 x 20LG SST SHCS
17	M4 x 0.7 x 35LG SST SHCS
18	M6 x 1.0 x 25LG SST SET SCREW
19	M6 x 1.0 SST HEX LOCKNUT
20	STAND-OFF
21	LAMP SOCKET SPACER
22	CALL TECHNICAL SUPPORT FOR APPROPRIATE FRONT FLANGE

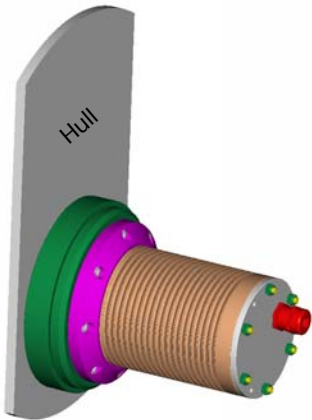


Underwater Lights USA, LLC
277 SW 33rd Court
Fort Lauderdale, FL 33315 USA
Phone: 1-954-760-4447
Fax: 1-954-525-3261
Internet: www.seavision.com
Email: sales@seavision.com

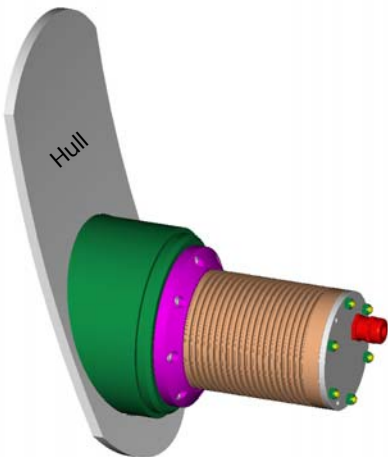
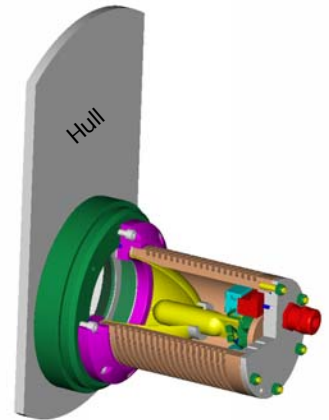
DOC:121706-3W

Underwater Lights Europe Sarl
Résidence L'Hippocampe: 19, Avenue Thiers
06600 Antibes, France
Phone: 33-(0)-4-97-21-02-96
Fax: 33-(0)-4-97-21-10-96
Internet: www.seavision.com
Email: sales@seavisioneurope.com

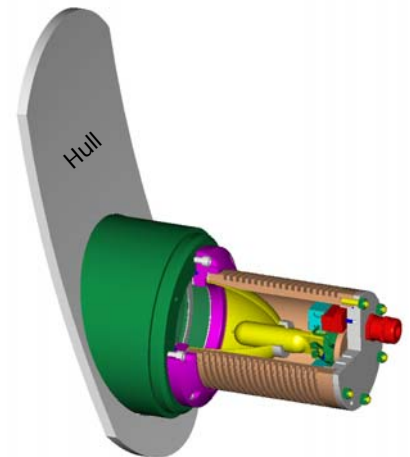
Weld-in Front Flange Selection for **ALUMINUM** Hulled Vessels



*Light with 0° to 10°
ALUM Front Flange
(37024)*



*Light with 10° to 30°
ALUM Front Flange
(37051)*

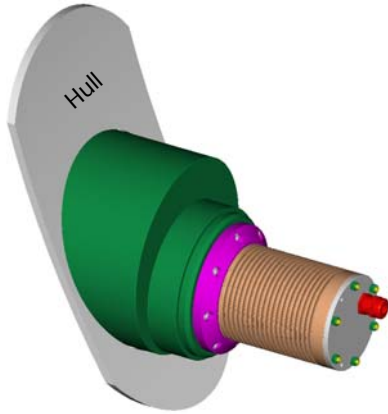


SV37 Light

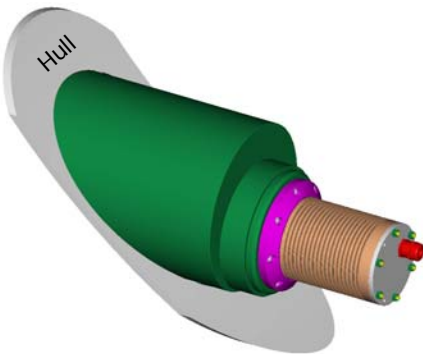
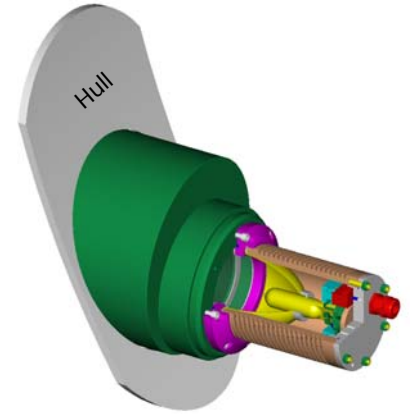
120VAC/250W
240VAC/250W



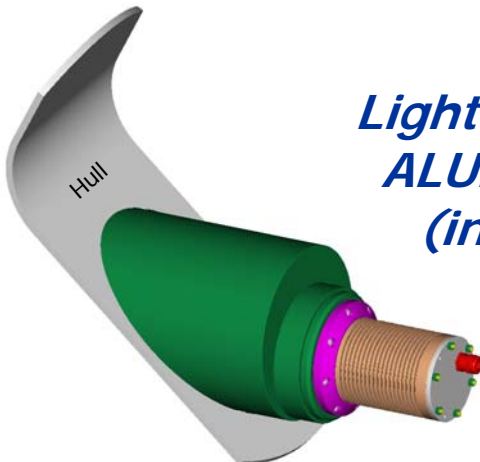
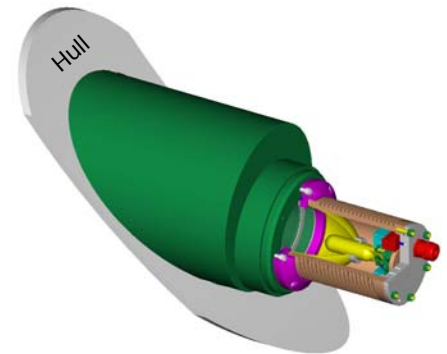
Weld-in Front Flange Selection for **ALUMINUM** Hulled Vessels



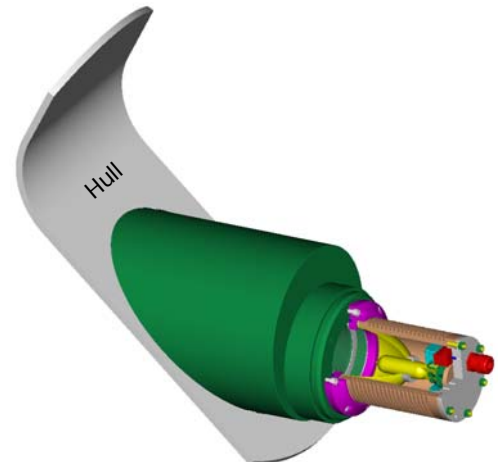
*Light with 24° to 38°
ALUM Front Flange
(37054)*



*Light with 38° to 50°
ALUM Front Flange
(37057)*



*Light with 38° to 50°
ALUM Front Flange
(in hull bottom)*



Underwater Lights USA, LLC
277 SW 33rd Court
Fort Lauderdale, FL 33315 USA
Phone: 1-954-760-4447
Fax: 1-954-525-3261
Internet: www.seavision.com
Email: sales@seavision.com

DOC:121706-3W

Underwater Lights Europe Sarl
Résidence L'Hippocampe: 19, Avenue Thiers
06600 Antibes, France
Phone: 33-(0)-4-97-21-02-96
Fax: 33-(0)-4-97-21-10-96
Internet: www.seavision.com
Email: sales@seavisioneurope.com