

SV20 Light

12VDC/35W
24VDC/35W



Introduction:

Congratulations on the purchase of your new thru hull light. Underwater Lights® USA, LLC takes pride in providing well designed, high quality and thoroughly tested lights that allow you to “enhance your boating experience”. These lights can be installed in your vessel for aesthetics, to attract fish, for security and safety.

General Operating Information:

The 35W, HID, gas discharge lamp used in this light is a commercial grade high technology instant re-strike lamp. This lamp will generally reach full brightness in less than 1 minute.

The light can be operated for a brief period of time when the vessel is out of the water, but, it is crucial that the vessel is in the water to ensure proper lamp cooling, however, the light can be operated while the vessel is underway.

Depending upon water clarity conditions, the light beam can reach up to 18 meters (60 feet).

General Safety Information:

This light is intended for use on fiberglass and wood hulled vessels.

Never try to install or remove this light while the vessel is in the water.

Electrical wiring harness components should be kept out of potentially explosive gas environments.

The body of the light must be electrically joined to the vessels grounding and cathodic protection system. Failure to do so may cause light corrosion.

Always disconnect and lock-out power before working on light.

The light should be visually inspected every six months.

The light, electrical components and electrical cabling should be visually inspected for proper operating condition every six months.

Marine growth should be removed from the glass using a soft brush to allow both heat and illumination to exit the light.

Technical Specifications:

Lamp = 35 Watt - Xenation - 5100 Kelvin color temperature - Approximately 3,000 hours life (standard)

Lamp = 35 Watt - Xenation - 10000 Kelvin color temperature - Approximately 3,000 hours life (optional)

Glass = Borosilicate glass - 9.5mm (0.38”) thick - 41mm (1.61”) diameter net aperture

Dimensions = 80mm (3.15”) diameter x 128mm (5.04”) long - 2.2 kilograms (5.9 pounds)

Construction = Marine bronze - Black anodized marine aluminum alloy - Black delrin

Power supply = 12 VDC nominal (15 VDC max) - 3.5 Amps continuous (18 Amps start up) - Minimum operating temp. -30°C (22°F)
OR

Power supply = 24 VDC nominal (30 VDC max) - 1.8 Amps continuous (8 Amps start up) - Minimum operating temp. -30°C (22°F)

Troubleshooting:

Please contact our technical support staff in Florida at 1-954-760-4447, Monday to Friday from 8:00 am to 5:00 pm EST.

Warranty:

Underwater Lights® USA, LLC warrants this light to be free from defects in workmanship and materials for a period of two years from the date of original purchase (except lamps). Further, misuse, abuse, improper installation, neglect, improper shipping, damage caused by disasters such as fire, flood and lightning, unauthorized repair or modifications will void said warranty. Should your light prove defective during the warranty period, promptly contact Underwater Lights® USA, LLC for an RMA number and then return the light freight prepaid with the RMA number clearly marked on the outside of the shipping container.

Underwater Lights USA, LLC
277 SW 33rd Court
Fort Lauderdale, FL 33315 USA
Phone: 1-954-760-4447
Fax: 1-954-525-3261
Internet: www.seavision.com
Email: sales@seavision.com



DOC:121505-2W

Underwater Lights Europe Sarl
Résidence L'Hippocampe: 19, Avenue Thiers
06600 Antibes, France
Phone: 33-(0)-4-97-21-02-96
Fax: 33-(0)-4-97-21-10-96
Internet: www.seavision.com
Email: sales@seavisioneurope.com

SV20 Light

12VDC/35W
24VDC/35W



Installation:

This light should be installed at least 152mm (6") below the water line by qualified/approved personnel using proper tools and materials. The minimum hull thickness is 8mm (0.31") and maximum is 73mm (2.87") with an access area of at least 75mm (3") left behind the light for lamp servicing and general ventilation.

After selecting a flat surface, cut a 60mm (2-3/8") diameter hole through the vessel hull in the desired location. Caution! Check that no electrical wiring, fuel lines, oil lines, water lines etc., pass near or through the intended hole location.

Remove numbers (7), (4), (6) + (5) from the light. Carefully coat the Flanged Main Body (1) and inner surface of above cut hole with 3M 5200 Marine Adhesive or equivalent. Caution! Avoid placing adhesive on flanged main body threads. Note: Exposed inner hole surface must be properly sealed before light installation to prevent potential water intrusion into the hull proper.

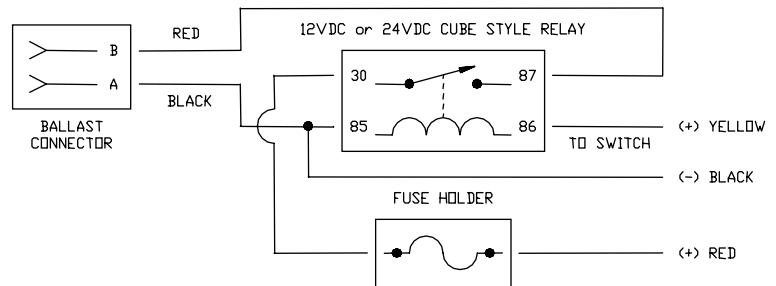
Holding the Flanged Main Body (1), push the light through the hole, slide the Compression Ring (5) over the Flanged Main Body (1) and then tighten the Locking Ring (6) hand tight. Note: Ensure that the tips of all three set screws (14) are NOT touching the Compression ring (5). After the 3M 5200 Marine Adhesive is fully cured, tighten the three set screws (14) to 7 Nm (5 ft/bs) using a 3mm allen wrench.

Securely mount the Ballast (18) as high as possible away from the light, pointing the female electrical connection downwards. Connect the supplied wiring harness to the Ballast (18) per wiring diagram below. Caution! Avoid making tight bends and/or passing electrical cables over sharp edges/surfaces.

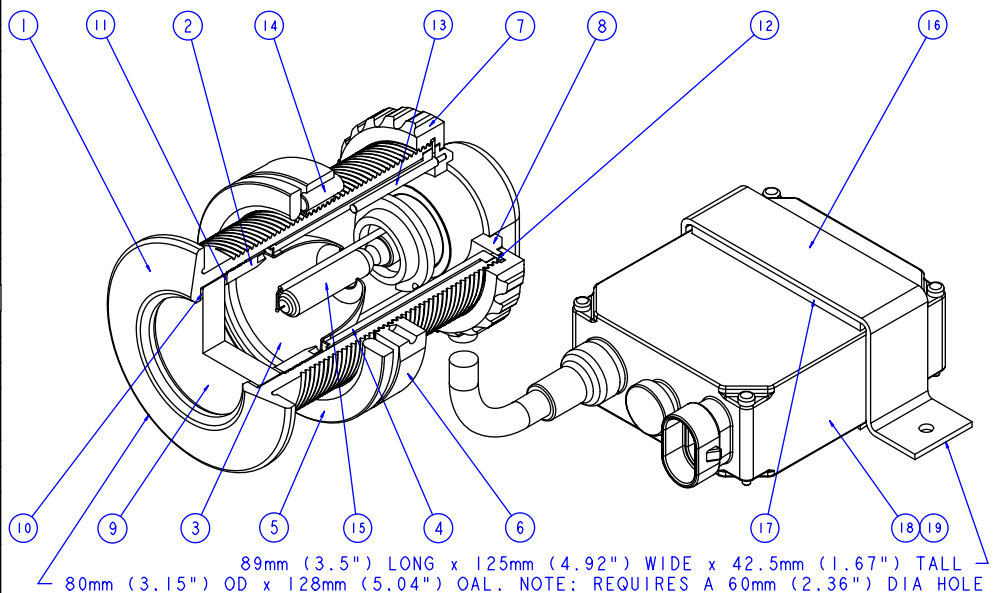
Align and place the Reflector Tube (4) onto the Projector Cap (8) and then screw the Projector Lid (7) onto the Flanged Main Body (1) hand tight. Upon completing light installation, it is highly recommended that the Flanged Main Body (1) face be coated with antifouling paint and a wire lead be connected from the Locking Ring (6) M4 x 0.7 tapped hole to the vessels grounding and cathodic protection system.

Serviceable Parts:

Lamp replacement is done by unscrewing the Projector Lid (7), removing the Reflector Tube (4) and carefully removing the Lamp (15). Reverse said procedure to assemble the light, screwing the Projector Lid (7) hand tight. Caution! Ensure that the new lamp is clean and free of dust, dirt, grease, oil, water and finger prints. Additionally, numbers (9), (10) + (11) are not field serviceable on this light.



BALLOON	DESCRIPTION
1	FLANGED MAIN BODY
2	GLASS RETAINING COLLAR
3	REFLECTOR
4	REFLECTOR TUBE
5	COMPRESSION RING
6	LOCKING RING
7	PROJECTOR LID
8	PROJECTOR CAP
9	GLASS
10	OUTER GLASS GASKET
11	INNER GLASS GASKET
12	PROJECTOR LID GASKET
13	ALIGNMENT PIN
14	M6 x 1.0 x 16LG SST SET SCREW
15	LAMP, 35W, 5100K (STD) LAMP, 35W, 10000K (OPT)
16	BALLAST MOUNT
17	FOAM TAPE
18	12VDC BALLAST WITH IGNITOR 24VDC BALLAST WITH IGNITOR
19	12VDC BALLAST WIRING HARNESS 24VDC BALLAST WIRING HARNESS



Underwater Lights USA, LLC
277 SW 33rd Court
Fort Lauderdale, FL 33315 USA
Phone: 1-954-760-4447
Fax: 1-954-525-3261
Internet: www.seavision.com
Email: sales@seavision.com



DOC:121505-2W

Underwater Lights Europe Sarl
Résidence L'Hippocampe: 19, Avenue Thiers
06600 Antibes, France
Phone: 33-(0)-4-97-21-02-96
Fax: 33-(0)-4-97-21-10-96
Internet: www.seavision.com
Email: sales@seavisioneurope.com