

# SV19 Light

Strobe Lamp



## ***Introduction:***

Congratulations on the purchase of your new thru hull light. Underwater Lights® USA, LLC takes pride in providing well designed, high quality and thoroughly tested lights that allow you to “enhance your boating experience”. These lights can be installed in your vessel for aesthetics, to attract fish, for security and safety.

## ***General Operating Information:***

The light uses a commercial grade FAA approved high technology flash tube assembly that emits a bright pulse of white light approximately every two seconds.

The light can be operated for a brief period of time when the vessel is out of the water, but, it is crucial that the vessel is in the water to ensure proper lamp cooling, however, the light can be operated while the vessel is underway.

Depending upon water clarity conditions, the light beam can reach up to 21 meters (70 feet).

## ***General Safety Information:***

This light is intended for use on fiberglass and wood hulled vessels.

Never try to install or remove this light while the vessel is in the water.

The body of the light must be electrically joined to the vessels grounding and cathodic protection system. Failure to do so may cause light corrosion.

Always disconnect and lock-out power before working on light.

The light should be visually inspected every six months.

The light and electrical cabling should be visually inspected for proper operating condition every six months.

Marine growth should be removed from the glass using a soft brush to allow both heat and illumination to exit the light.

## ***Technical Specifications:***

Lamp = 19 Joules of power (maximum) - 400 Candle power (maximum) - Approximately 1,000 hours life

Glass = Borosilicate glass - 12.7mm (0.5”) thick - 52mm (2.0”) diameter net aperture

Dimensions = 105mm (4.13”) diameter x 174mm (6.85”) long - 1.5 kilograms (3.3 pounds)

Construction = Marine bronze - Black anodized marine aluminum alloy - Black delrin

Power supply = 1.7 Amps @ 14VDC to 0.85 Amps @ 28VDC - Minimum operating temp -30°C (-22°F)

## ***Troubleshooting:***

Please contact our technical support staff in Florida at 1-954-760-4447, Monday to Friday from 8:00 am to 5:00 pm EST.

## ***Warranty:***

Underwater Lights® USA, LLC warrants this light to be free from defects in workmanship and materials for a period of two years from the date of original purchase (except lamps). Further, misuse, abuse, improper installation, neglect, improper shipping, damage caused by disasters such as fire, flood and lightning, unauthorized repair or modifications will void said warranty. Should your light prove defective during the warranty period, promptly contact Underwater Lights® USA, LLC for an RMA number and then return the light freight prepaid with the RMA number clearly marked on the outside of the shipping container.

Underwater Lights USA, LLC  
277 SW 33rd Court  
Fort Lauderdale, FL 33315 USA  
Phone: 1-954-760-4447  
Fax: 1-954-525-3261  
Internet: [www.seavision.com](http://www.seavision.com)  
Email: [sales@seavision.com](mailto:sales@seavision.com)



DOC:120205-6W

Underwater Lights Europe Sarl  
Résidence L'Hippocampe: 19, Avenue Thiers  
06600 Antibes, France  
Phone: 33-(0)-4-97-21-02-96  
Fax: 33-(0)-4-97-21-10-96  
Internet: [www.seavision.com](http://www.seavision.com)  
Email: [sales@seavisioneurope.com](mailto:sales@seavisioneurope.com)

# SV19 Light

Strobe Lamp



## Installation:

This light should be installed at least 250-300mm (10-12") below the water line by qualified/approved personnel using proper tools and materials. The minimum hull thickness is 12mm (0.47") and maximum is 92mm (3.6") with an access area of at least 115mm (4.5") left behind the light for lamp assembly servicing and general ventilation.

After selecting a flat surface, cut a 80mm (3-1/4") diameter hole through the vessel hull in the desired location. **Caution!** Check that no electrical wiring, fuel lines, oil lines, water lines etc., pass near or through the intended hole location.

Remove numbers (7), (6), (8), (9) + (5) from the light. Carefully coat the Main Body (1), Front Flange (2) and inner surface of above cut hole with 3M 5200 Marine Adhesive or equivalent. **Caution!** Avoid placing adhesive on main body threads. **Note:** Exposed inner hole surface must be properly sealed before light installation to prevent potential water intrusion into the hull proper.

Holding the Front Flange (2), push the light through the hole, slide the Compression Ring (6) over the Main Body (1) and then tighten the Locking Ring (7) hand tight. **Note:** Ensure that the tips of all three fasteners (18) are NOT touching the Compression ring (6). After the 3M 5200 Marine Adhesive is fully cured, tighten the three fasteners (18) to 9 Nm (7 ft/bs) using a 5mm allen wrench.

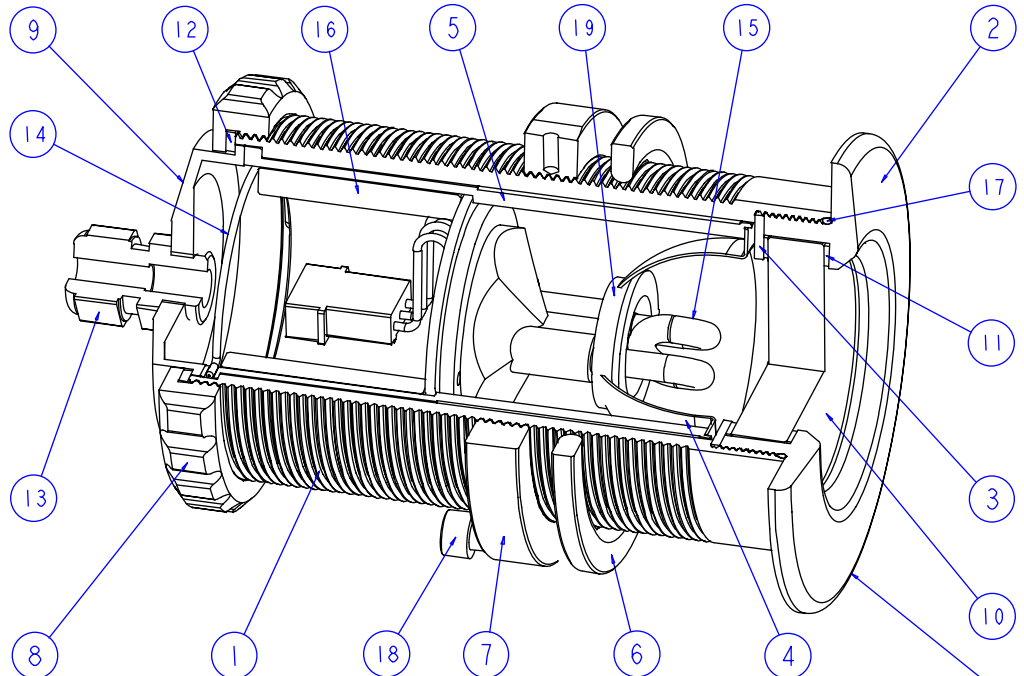
Subsequently, see separate ballast manual for light electrical cable connecting instructions. **Caution! Reversing input electrical polarity will severely damage the strobe power supply (ballast).**

Upon completing light installation, it is highly recommended that the Front Flange (2) be coated with antifouling paint and a wire lead be connected from the Locking Ring (7) M4 x 0.7 tapped hole to the vessels grounding and cathodic protection system.

## Serviceable Parts:

Lamp replacement is done by unscrewing the Projector Lid (8), removing the Projector Cap (9), sliding the Reflector Tube (5) out of the Main Body (1), removing the Wire Pull Handle (14), removing the Flash Tube Holder (16) and removing the Flash Tube Assembly (15). Light re-assembly is done by reversing said procedure. **Caution!** Ensure that the new lamp is clean and free of dust, dirt, grease, oil, water and finger prints. Additionally, Glass (10) and Glass Gasket (11) replacement is not field serviceable on this light.

BALLOON	DESCRIPTION
1	MAIN BODY
2	FRONT FLANGE
3	GLASS RETAINING RING
4	REFLECTOR
5	REFLECTOR TUBE
6	COMPRESSION RING
7	LOCKING RING
8	PROJECTOR LID
9	PROJECTOR CAP
10	GLASS
11	GLASS GASKET
12	PROJECTOR LID GASKET
13	CABLE STRAIN RELIEF
14	WIRE PULL HANDLE
15	FLASH TUBE ASSEMBLY
16	FLASH TUBE HOLDER
17	FRONT FLANGE O-RING
18	M6 x 1.0 x 25LG SST SHCS
19	REFLECTOR BUSHING



105mm (4.13") OD x 176mm (6.85") OAL. NOTE: REQUIRES A 80mm (3.15") DIAMETER HOLE

Underwater Lights USA, LLC  
 277 SW 33rd Court  
 Fort Lauderdale, FL 33315 USA  
 Phone: 1-954-760-4447  
 Fax: 1-954-525-3261  
 Internet: [www.seavision.com](http://www.seavision.com)  
 Email: [sales@seavision.com](mailto:sales@seavision.com)



DOC:120205-6W

Underwater Lights Europe Sarl  
 Résidence L'Hippocampe: 19, Avenue Thiers  
 06600 Antibes, France  
 Phone: 33-(0)-4-97-21-02-96  
 Fax: 33-(0)-4-97-21-10-96  
 Internet: [www.seavision.com](http://www.seavision.com)  
 Email: [sales@seavisioneurope.com](mailto:sales@seavisioneurope.com)