

DV41 Helideck Light

12VDC/24VDC



Introduction:

Congratulations on the purchase of your new helideck light. Underwater Lights® USA, LLC takes pride in providing well designed, high quality and thoroughly tested lights that allow you to “enhance your boating experience”. These lights can be installed in your vessel for aesthetics, security and safety.

General Operating Information:

The commercial grade Light Emitting Diode (LED) technology used in this light will provide robust and reliable operation under normal operating conditions.

General Safety Information:

This light is intended for vessel exterior (rain or indirect water spray) lighting applications.

Always disconnect and lock-out power before working on light.

Technical Specifications:

Light source = Four white LED modules - 5500 Kelvin color temperature - Approximately 10,000 hours life

Available LED colors = Blue or green

Glass = Clear borosilicate glass - 4.8mm (0.19”) thick - 55.5mm (2.19”) diameter net aperture

Light dimensions = 95mm (3.74”) diameter x 88mm (3.5”) long - 804 grams (1.8 lbs) - Fits through a 64mm (2.5”) diameter hole

Optional weld in adapter dimensions = 110mm (4.3”) diameter x 35mm (1.4”) long - Aluminum, 512 grams (1 lb) - Stainless steel, 1364 grams (3 lbs)

Construction = Stainless steel - Clear anodized marine aluminum alloy

Power source = 12VDC - 0.3 Amps, 24VDC - 0.17 Amps - Operating temperature from -30°C (-22°F) to 85°C (185°F)

Troubleshooting:

Please contact our technical support staff in Florida at 1-954-760-4447, Monday to Friday from 8:00 am to 5:00 pm EST.

Warranty:

Underwater Lights® USA, LLC warrants this light to be free from defects in workmanship and materials for a period of one year from the date of original purchase (except lamps). Further, misuse, abuse, improper installation, neglect, improper shipping, damage caused by disasters such as fire, flood and lightning, unauthorized repair or modifications will void said warranty. Should your light prove defective during the warranty period, promptly contact Underwater Lights® USA, LLC for an RMA number and then return the light freight prepaid with the RMA number clearly marked on the outside of the shipping container.

Underwater Lights USA, LLC
277 SW 33rd Court
Fort Lauderdale, FL 33315 USA
Phone: 1-954-760-4447
Fax: 1-954-525-3261
Internet: www.seavision.com
Email: sales@seavision.com

DOC:072307-4W

Underwater Lights Europe Sarl
Résidence L'Hippocampe: 19, Avenue Thiers
06600 Antibes, France
Phone: 33-(0)-4-97-21-02-96
Fax: 33-(0)-4-97-21-10-96
Internet: www.seavision.com
Email: sales@seavisioneurope.com

DV41 Helideck Light

12VDC/24VDC



Installation:

After selecting a flat surface, cut a 64mm (2.5") diameter hole through said surface at the desired location. Caution! Check that no electrical wiring, fuel lines, oil lines, water lines etc., pass near or through the intended hole location.

Remove Screws (6), Body Gasket (4), Front Flange (1) and Phillips Flat Head Screws (7 not shown) from Main Body (2). Place Main Body (2) with Body Gasket (4) through above hole and secure using Phillips Flat Head Screws (7 not shown). Note: Depending upon installation surface material, four small pilot holes may be required. Install Body Gasket (4) and Front Flange (1) onto Main Body (2) and secure in place using Screws (6). Note: For optional Weld in Adapter (12), secure Main Body (2) in place using Socket Flat Head Screws (7 shown).

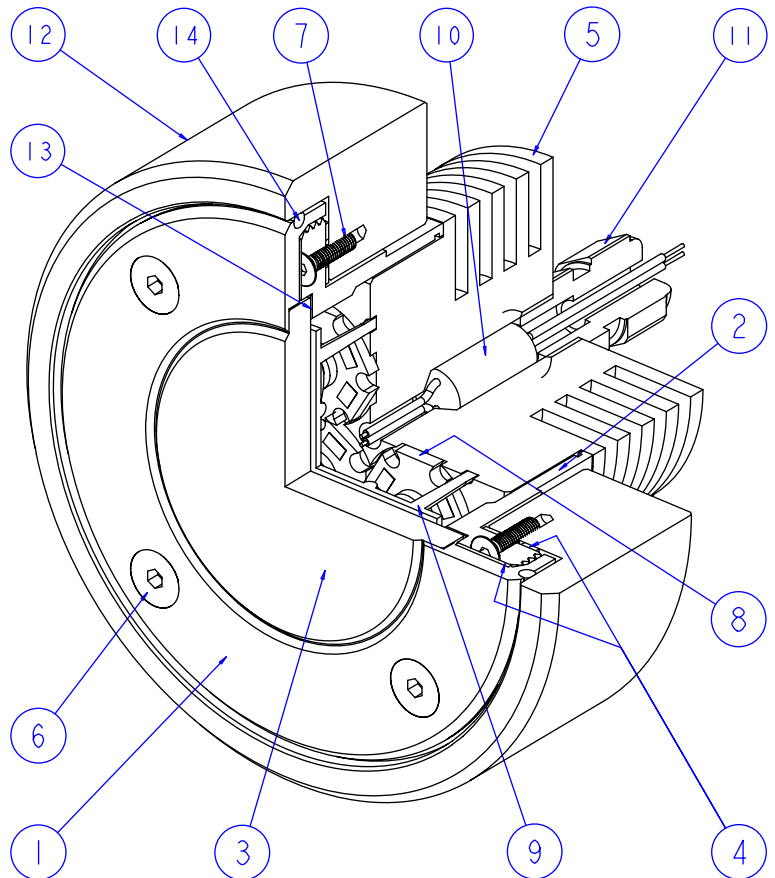
Connect the RED wire lead to a switched and fused power source and connect the BLACK wire lead to a good ground.

Serviceable Parts:

LED Module (8) and associated components are not field serviceable on this light, however Front Flange (1) and Screws (6) can be removed to clean glass lense. Note: Screw two M6 x 1.0 fasteners into Front Flange (1) to assist removal. Additionally, Glass (3) is permanently bonded to Front Flange (1).

BALLOON	DESCRIPTION
1	FRONT FLANGE, STAINLESS STEEL, MIRROR FINISH*
2	MAIN BODY, STAINLESS STEEL*
3	GLASS, CLEAR*
4	BODY GASKET
5	QUAD HEAT SINK
6	M5 x 0.8 x 8 LG STAINLESS STEEL SOCKET FLAT HEAD SCREW
7	(SHOWN) M3 x 0.5 x 12 LG STAINLESS STEEL SOCKET FLAT HEAD SCREW IS USED WITH OPTIONAL WELDIN ADAPTER
7	(NOT SHOWN) No. 4 x 5/8" LG STAINLESS STEEL PHILIPS FLAT HEAD SCREW IS USED FOR DIRECT SURFACE MOUNTING
8	WHITE LED MODULE*
9	NARROW BEAM QUAD LENSE*
10	LED POWER MODULE, 10 - 30 VDC
11	CABLE STRAIN RELIEF
12	OPTIONAL WELD IN ADAPTER, STAINLESS STEEL*
13	GLASS GASKET
14	FRONT FLANGE O-RING

*PLEASE CALL FOR OTHER LIGHT COMPONENT CONFIGURATIONS



Underwater Lights USA, LLC
277 SW 33rd Court
Fort Lauderdale, FL 33315 USA
Phone: 1-954-760-4447
Fax: 1-954-525-3261
Internet: www.seavision.com
Email: sales@seavision.com

DOC:072307-4W

Underwater Lights Europe Sarl
Résidence L'Hippocampe: 19, Avenue Thiers
06600 Antibes, France
Phone: 33-(0)-4-97-21-02-96
Fax: 33-(0)-4-97-21-10-96
Internet: www.seavision.com
Email: sales@seavisioneurope.com