

DV26 Light, 12VDC LED Array



Introduction:

Congratulations on the purchase of your new deck light. Underwater Lights® USA, LLC takes pride in providing well designed, high quality and thoroughly tested lights that allow you to “enhance your boating experience”. These lights can be installed in your vessel for aesthetics, security and safety.

General Operating Information:

The commercial grade Light Emitting Diode (LED) technology used in this light will provide robust and reliable operation under normal operating conditions.

General Safety Information:

This light is intended for vessel interior or exterior (rain or indirect water spray) lighting applications.

Always disconnect and lock-out power before working on light.

Technical Specifications:

Light Source = Blue, red, cool white or warm white LED array - 2.5 Watts - 6000 Kelvin color temperature - Approximately 10,000 hours life

Glass = Frosted glass - 3.2mm (0.125”) thick - 52mm (2.0”) wide x 20mm (0.8”) high net aperture

Dimensions = 83mm (3.27”) wide x 51mm (2.0”) high x 54mm (2.1”) deep - 108 grams (3.8 ounces)

Mounting = Fits through a 62mm (2.44”) wide x 30mm (1.19”) tall oval hole

Construction = Stainless steel - White PTFE (Teflon)

Power supply = 12VDC - 116 MA

Troubleshooting:

Please contact our technical support staff in Florida at 1-954-760-4447, Monday to Friday from 8:00 am to 5:00 pm EST.

Warranty:

Underwater Lights® USA, LLC warrants this light to be free from defects in workmanship and materials for a period of one year from the date of original purchase (except lamps). Further, misuse, abuse, improper installation, neglect, improper shipping, damage caused by disasters such as fire, flood and lightning, unauthorized repair or modifications will void said warranty. Should your light prove defective during the warranty period, promptly contact Underwater Lights® USA, LLC for an RMA number and then return the light freight prepaid with the RMA number clearly marked on the outside of the shipping container.

Underwater Lights USA, LLC
277 SW 33rd Court
Fort Lauderdale, FL 33315 USA
Phone: 1-954-760-4447
Fax: 1-954-525-3261
Internet: www.seavision.com
Email: sales@seavision.com



DOC:101606-6W

Underwater Lights Europe Sarl
Résidence L'Hippocampe: 19, Avenue Thiers
06600 Antibes, France
Phone: 33-(0)-4-97-21-02-96
Fax: 33-(0)-4-97-21-10-96
Internet: www.seavision.com
Email: sales@seavisioneurope.com

DV26 Light, 12VDC LED Array



Installation:

After selecting a flat surface, cut a 62mm (2-7/16") wide x 30mm (1-3/16") high oval hole through said surface at the desired location. Caution! Check that no electrical wiring, fuel lines, oil lines, water lines etc., pass near or through the intended hole location.

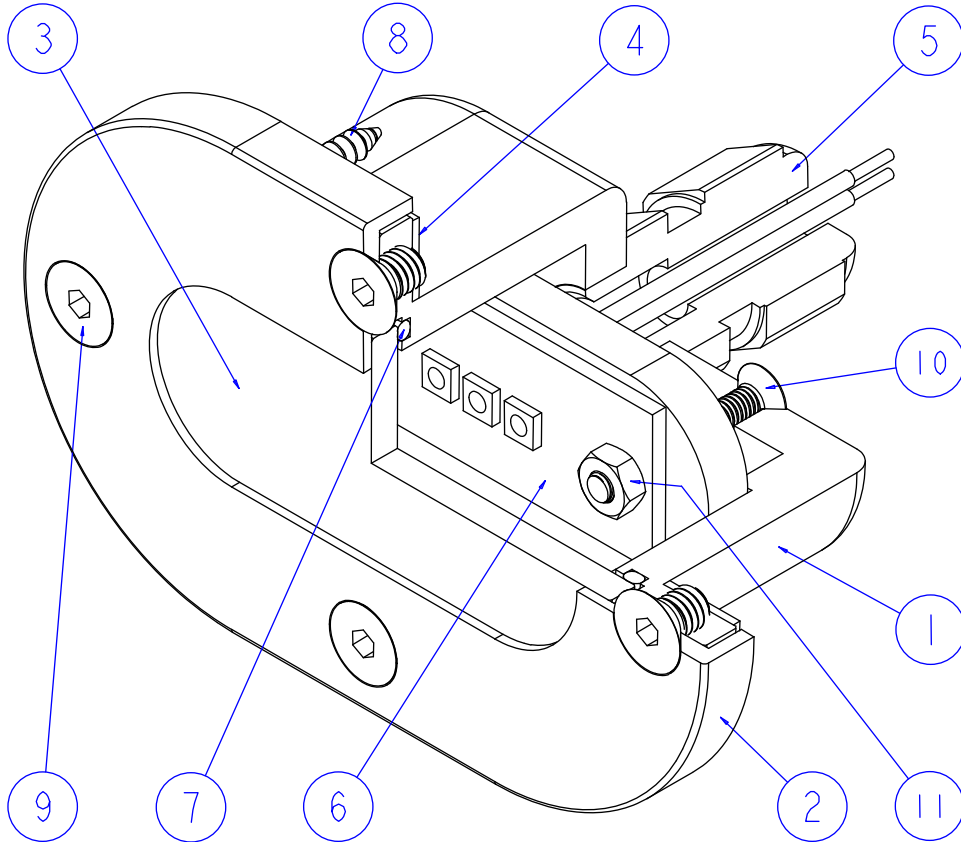
Remove four Socket Flat Head Screws (9), Front Flange (2) and four supplied Phillips Flat Head Screws (8). Place Main Body (1) with Body Gasket (4) through above oval hole and carefully secure using four Phillips Flat Head Screws (8). Note: Depending upon installation surface material, four small pilot holes may be required. Place Front Flange (2) onto Main Body (1) and secure using four Socket Flat Head Screws (9).

Connect white wire to a switched and fused power source. Connect gray wire to good ground.

Serviceable Parts:

LED Array Assembly (6) replacement is done by removing four Socket Flat Head Screws (9) and Front Flange (2), loosening the Cable Strain Relief (5), removing Hex Nut (11) and Socket Flat Head Screw (10), removing the old LED Array Assembly (6) with wire leads, inserting the new LED Array Assembly (6) while feeding the wire leads through the Cable Strain Relief (5), tightening Cable Strain Relief (5) then reverse procedure to assemble the light. Caution! Ensure that the new LED Array Assembly (6) is properly seated in the Main Body (1) as shown. Additionally, Glass (3) and Front Flange (2) are a permanently bonded assembly.

BALLOON	DESCRIPTION
1	MAIN BODY
2	FRONT FLANGE STAINLESS STEEL, MIRROR FINISH*
3	GLASS, FROSTED*
4	BODY GASKET
5	CABLE STRAIN RELIEF
6	WHITE LED ARRAY ASSEMBLY, 12VDC* BLUE LED ARRAY ASSEMBLY, 12VDC* RED LED ARRAY ASSEMBLY, 12VDC*
7	FRONT FLANGE O-RING
8	No. 4 x 5/8" LG STAINLESS STEEL PHILLIPS FLAT HEAD SCREW
9	M4 x 0.7 x 6 LG STAINLESS STEEL SOCKET FLAT HEAD SCREW
10	M3 x 0.5 x 20 LG STAINLESS STEEL SOCKET FLAT HEAD SCREW
11	M3 x 0.5 STAINLESS STEEL HEX NUT
*PLEASE CALL FOR OTHER LIGHT COMPONENT CONFIGURATIONS	



Underwater Lights USA, LLC
277 SW 33rd Court
Fort Lauderdale, FL 33315 USA
Phone: 1-954-760-4447
Fax: 1-954-525-3261
Internet: www.seavision.com
Email: sales@seavision.com



DOC:101606-6W

Underwater Lights Europe Sarl
Résidence L'Hippocampe: 19, Avenue Thiers
06600 Antibes, France
Phone: 33-(0)-4-97-21-02-96
Fax: 33-(0)-4-97-21-10-96
Internet: www.seavision.com
Email: sales@seavisioneurope.com