

# DV24 Light

12VDC/100W



## ***Introduction:***

Congratulations on the purchase of your new dock light. Underwater Lights® USA, LLC takes pride in providing well designed, high quality and thoroughly tested lights that allow you to “enhance your boating experience”. These lights can be installed on your dock for aesthetics, security and safety.

## ***General Operating Information:***

The commercial grade Halogen lamp used in this light will provide robust and reliable operation under normal operating conditions.

Call technical support for step down transformer option if you do not have 12V available.

## ***General Safety Information:***

This light is intended for underwater lighting applications having a maximum depth of 2 meters or 6.5 feet.

Always disconnect and lock-out power before working on light.

## ***Technical Specifications:***

Lamp = 100 Watt - Halogen - 2800 Luminous intensity - 3000 Kelvin color temperature - Approximately 3,000 hours life

Glass = Clear borosilicate glass - 4.8mm (0.19”) thick - 100mm (3.9”) diameter net aperture

Dimensions = 142mm (5.59”) diameter x 85mm (3.3”) long - 1063 grams (2.3 lbs)

Construction = Gray PVC body components - Stainless Steel mounting components

Power supply = 12V AC/DC – 8 amps

## ***Troubleshooting:***

Please contact our technical support staff in Florida at 1-954-760-4447, Monday to Friday from 8:00 am to 5:00 pm EST.

## ***Warranty:***

Underwater Lights® USA, LLC warrants this light to be free from defects in workmanship and materials for a period of one year from the date of original purchase (except lamps). Further, misuse, abuse, improper installation, neglect, improper shipping, damage caused by disasters such as fire, flood and lightning, unauthorized repair or modifications will void said warranty. Should your light prove defective during the warranty period, promptly contact Underwater Lights® USA, LLC for an RMA number and then return the light freight prepaid with the RMA number clearly marked on the outside of the shipping container.

---

Underwater Lights USA, LLC  
277 SW 33rd Court  
Fort Lauderdale, FL 33315 USA  
Phone: 1-954-760-4447  
Fax: 1-954-525-3261  
Internet: [www.seavision.com](http://www.seavision.com)  
Email: [sales@seavision.com](mailto:sales@seavision.com)



DOC:102306-5W

Underwater Lights Europe Sarl  
Résidence L'Hippocampe: 19, Avenue Thiers  
06600 Antibes, France  
Phone: 33-(0)-4-97-21-02-96  
Fax: 33-(0)-4-97-21-10-96  
Internet: [www.seavision.com](http://www.seavision.com)  
Email: [sales@seavisioneurope.com](mailto:sales@seavisioneurope.com)

# DV24 Light

12VDC/100W



## Installation:

Ensure that the light will be submerged at low tide (if applicable), then select a flat mounting surface for the light and secure by way of two Mounting Bracket (5) holes. Set desired light illumination position then tighten fasteners (10) and (11) accordingly. Caution! Route light electrical cable away from any sharp edges.

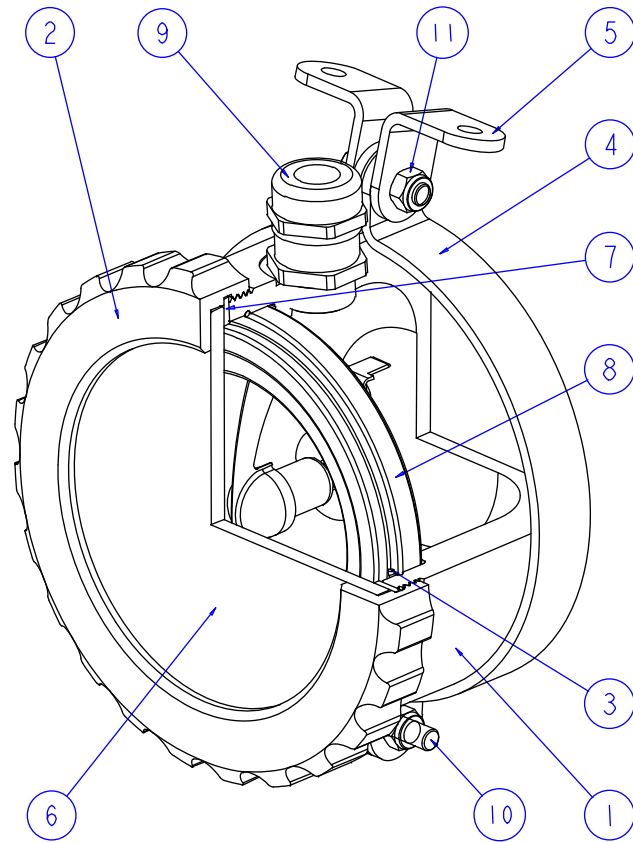
Connect light to a suitable 12 VDC fused and switched power source.

Unscrew the Front Flange (2) from the Main Body (1), remove Lamp Spring Clip (3), remove Lamp (8) from Main Body (1), pass cable through Cable Strain Relief (9) and tighten, connect wire leads to Lamp (8) push-on terminals, insert Lamp (8) into Main Body (1), install Lamp Spring Clip (3) and screw Front Flange (2) onto Main Body (1) hand tight. Caution! Ensure that the new lamp is clean and free of dust, dirt, grease, oil, water and finger prints. Additionally, ensure that Body Gasket (7), Front Flange (2) and Main Body (1) sealing surfaces are clean.

## Serviceable Parts:

Lamp (8) replacement is done by unscrewing the Front Flange (2) from the Main Body (1), removing Lamp Spring Clip (3), removing old Lamp (8) from Main Body (1), disconnecting wire leads from old lamp and connecting wire leads to new lamp, inserting new Lamp (8) into Main Body (1), installing Lamp Spring Clip (3) and screwing Front Flange (2) onto Main Body (1) hand tight. Caution! Ensure that the new lamp is clean and free of dust, dirt, grease, oil, water and finger prints. Ensure that Body Gasket (7), Front Flange (2) and Main Body (1) sealing surfaces are clean before assembly. Additionally, the Glass (6) can be removed and replaced from the Front Flange (2) on this light.

BALLOON	DESCRIPTION
1	MAIN BODY, GRAY PVC*
2	FRONT FLANGE, GRAY PVC*
3	LAMP SPRING CLIP
4	C-CLAMP, STAINLESS STEEL*
5	MOUNTING BRACKET, STAINLESS STEEL*
6	GLASS
7	BODY GASKET
8	LAMP, 100 WATT, 45° BEAM ANGLE, 12VDC*
9	CABLE STRAIN RELIEF
10	M6 x 1.0 x 20 LG STAINLESS STEEL SOCKET HEAD CAP SCREW
11	M6 x 1.0 STAINLESS STEEL HEX LOCKNUT
*PLEASE CALL FOR OTHER LIGHT COMPONENT CONFIGURATIONS	



Underwater Lights USA, LLC  
 277 SW 33rd Court  
 Fort Lauderdale, FL 33315 USA  
 Phone: 1-954-760-4447  
 Fax: 1-954-525-3261  
 Internet: [www.seavision.com](http://www.seavision.com)  
 Email: [sales@seavision.com](mailto:sales@seavision.com)



DOC:102306-5W

Underwater Lights Europe Sarl  
 Résidence L'Hippocampe: 19, Avenue Thiers  
 06600 Antibes, France  
 Phone: 33-(0)-4-97-21-02-96  
 Fax: 33-(0)-4-97-21-10-96  
 Internet: [www.seavision.com](http://www.seavision.com)  
 Email: [sales@seavisioneurope.com](mailto:sales@seavisioneurope.com)