

SV44 Trim Tab Mount



The SV44 light is a unique concept in underwater lighting in that it combines the light and the trim tab in one installation. This allows for a simpler install and alleviates the necessity for additional holes in the transom. Utilizing the actuator on the trim tab allows the light to be angled lower in the water for added effect. It is suitable for all small boats under 40 feet / 12 meters.



Patent Pending

SV44 technical specifications

Application for:	Trim tabs
Lamp:	White or blue LED array
Life length:	approx. 10,000 hours
Kelvin color temp:	6500
Glass lens:	Convex cylindrical
Thickness:	0.93" / 9.5mm
Power supply:	10-28 volt, 1.47 amps maximum

Casing material:	Black nylon and stainless steel
Dimensions:	6.46" / 164mm x 1.73" / 44mm x 1.85" / 47mm
Weight:	0.59 kgs / 1.3 lbs
Code:	SV44 – Trim tab
Total shipping weight:	0.72 kgs / 1.6 lbs

All information is subject to change without prior notice, please confirm details prior to ordering.



1881 W State Road 84, Bay 102, Fort Lauderdale, FL 33315 USA
T. 954 760 4447 Toll Free 1 866 772 0130 F. 954 525 3261
sales@seavision.com www.seavision.com

SV44 Light

TRIM TAB MOUNTED, LED ARRAY,
12VDC or 24VDC



Introduction:

Congratulations on the purchase of your new trim tab mounted LED light (Patent Pending). Underwater Lights® USA, LLC takes pride in providing well designed, high quality and thoroughly tested lights that allow you to “enhance your boating experience”. These lights can be installed in your vessel for aesthetics, to attract fish, for security and safety.

General Operating Information:

The commercial grade Light Emitting Diode (LED) technology used in this light will provide robust and reliable operation under normal operating conditions.

The light can be operated for a brief period of time when the vessel is out of the water, however, the light can be operated while the vessel is underway.

Depending upon water clarity conditions, the light beam can reach up to 9 meters (30 feet).

General Safety Information:

This light is intended for use on adjustable hydraulic trim tabs typically installed on the stern of a vessel.

Always disconnect and lock-out power before working on light.

Marine growth should be removed from the convex cylindrical lens using a soft brush to allow illumination to exit the light.

Technical Specifications:

Light source = White LED array with 6500 Kelvin color temperature and 1067 lumens or alternate Blue LED array - Approximately 10,000 hours life for each color - Internal thermal limit protection included

Light lens = Convex cylindrical borosilicate glass - 143mm (5.63”) long x 23mm (0.91”) high net aperture - 9.5mm (0.93”) thick

Light dimensions = 164mm (6.46”) long x 44mm (1.73”) high x 48mm (1.89”) thick - 632 grams (1.4 lbs)

Light construction = Black nylon and stainless steel

Power source = 11-28VDC input range - 1.47 Amps max - Operating temperature from -30°C (-22°F) to 50°C (122°F)

Troubleshooting:

Please contact our technical support staff in Florida at 1-954-760-4447, Monday to Friday from 8:00 am to 5:00 pm EST.

Underwater Lights USA, LLC
1881 W State Road 84, Bay 102
Fort Lauderdale, FL 33315 USA
Phone: 1-954-760-4447
Fax: 1-954-525-3261
Internet: www.seavision.com
Email: sales@seavision.com

DOC:111607-3

Underwater Lights Europe Sarl
Résidence L'Hippocampe: 19, Avenue Thiers
06600 Antibes, France
Phone: 33-(0)-4-97-21-02-96
Fax: 33-(0)-4-97-21-10-96
Internet: www.seavision.com
Email: sales@seavisioneurope.com

SV44 Light

TRIM TAB MOUNTED, LED ARRAY,
12VDC or 24VDC



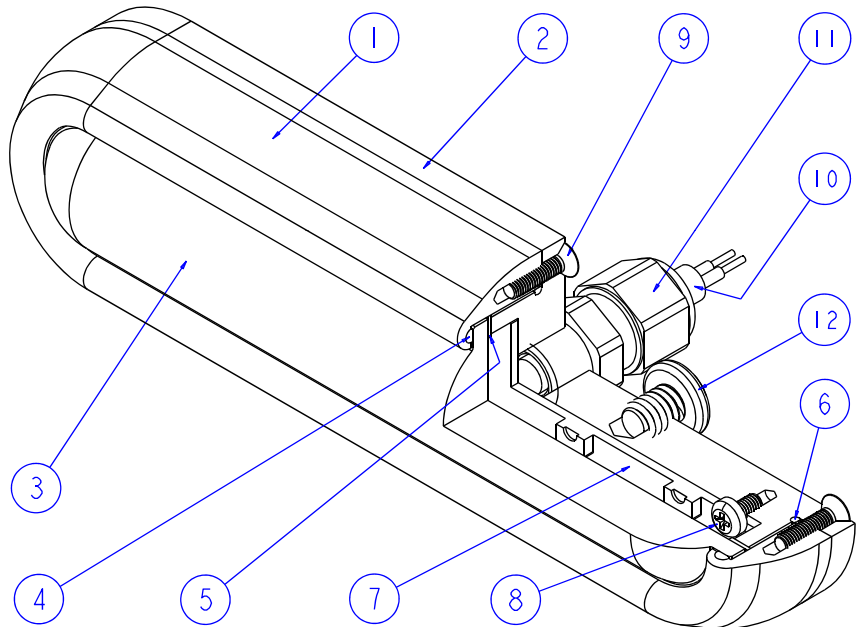
Warranty:

Underwater Lights® USA, LLC warrants this light to be free from defects in workmanship and materials for a period of two years from the date of original purchase. Further, misuse, abuse, improper installation, neglect, improper shipping, damage caused by disasters such as fire, flood and lightning, unauthorized repair or modifications will void said warranty. Should your light prove defective during the warranty period, promptly contact Underwater Lights® USA, LLC for an RMA number and then return the light freight prepaid with the RMA number clearly marked on the outside of the shipping container.

Service:

The LED Array (7) and Electrical Cable (10) are not serviceable on this light. Please call Sea Vision at 954-760 4447 in order to get an RMA # and the complete unit will have to be returned for service.

MODELS J18M15C25 WHITE & J18M15C26 BLUE, 12/24VDC		
BALLOON	PART	DESCRIPTION
1	44001	FRONT FLANGE, BLACK NYLON*
2	44013	BACK COVER, STAINLESS STEEL*
3	44011	LENSE
4	44045	LENSE O-RING
5	44034	GLASS GASKET
6	44046	BACK COVER O-RING
7	44047 44048	WHITE LED ARRAY BLUE LED ARRAY
8	44052	M3 x 0.5 x 5 LG SST PPHS
9	44051	M3 x 0.5 x 12 LG SST SFHS
10	44050	ELECTRICAL CABLE
11	44049	CABLE STRAIN RELIEF
12	44053	1/4-20 x 5/16 LG PPHS
*PLEASE CALL FOR OTHER LIGHT COMPONENT CONFIGURATIONS		



Underwater Lights USA, LLC
1881 W State Road 84, Bay 102
Fort Lauderdale, FL 33315 USA
Phone: 1-954-760-4447
Fax: 1-954-525-3261
Internet: www.seavision.com
Email: sales@seavision.com

DOC:111607-3

Underwater Lights Europe Sarl
Résidence L'Hippocampe: 19, Avenue Thiers
06600 Antibes, France
Phone: 33-(0)-4-97-21-02-96
Fax: 33-(0)-4-97-21-10-96
Internet: www.seavision.com
Email: sales@seavisioneurope.com