

SV44 Surface Mount



Patent Pending

The Sea Vision SV44 underwater light has a six LED array in a thermally conductive plastic housing that incorporates a revolutionary convex lens. This innovative patent pending design creates greater light dispersion and magnification for a dynamic underwater lighting effect. This light is ideal for any boat wanting a surface mounted application or has interior access problems where thru hull lighting is difficult to install.

SV44 technical specs

Application for:	Fiberglass / wood hulls
Glass Lens:	Convex cylindrical
Power Supply:	11-28 volt d.c. - 1.47 amps
Light Source:	White or blue LED array
Life Length:	Approx. 10,000 hours
Dimensions:	Length: 7.79" (164mm) Height: 1.73" (44mm) Thickness: 1.14" (29mm)
Construction:	Black nylon and black thermoplastic
Installation:	Fastened to a flat surface by way of three flat head screws The placement of surface mounted underwater lights on the hull bottom or sides is not recommended

Note: All information is subject to change without prior notice, please confirm details prior to ordering.



1881 W. State Road 84, Bay 102, Fort Lauderdale, FL 33315 USA
T. 954 760 4447 Toll Free 1 866 772 0130 F. 954 525 3261
sales@seavision.com www.seavision.com

SV44 Light

SURFACE MOUNTED, LED ARRAY,
12VDC or 24VDC



Introduction:

Congratulations on the purchase of your new surface mounted LED light (Patent Pending). Underwater Lights® USA, LLC takes pride in providing well designed, high quality and thoroughly tested lights that allow you to “enhance your boating experience”. These lights can be installed in your vessel for aesthetics, to attract fish, for security and safety.

General Operating Information:

The commercial grade Light Emitting Diode (LED) technology used in this light will provide robust and reliable operation under normal operating conditions.

The light can be operated for a brief period of time when the vessel is out of the water, however, the light can be operated while the vessel is underway.

Depending upon water clarity conditions, the light beam can reach up to 9 meters (30 feet).

General Safety Information:

Always disconnect and lock-out power source before working on light.

This light should be attached to the flat surface of a fiberglass or wood hulled vessel.

Marine growth should be removed from the convex cylindrical lens using a soft brush to allow illumination to exit the light.

Technical Specifications:

Light source = White LED array with 6500 Kelvin color temperature and 1067 lumens or alternate Blue LED array - Approximately 10,000 hours life for each color - Internal thermal limit protection included

Light lens = Convex cylindrical borosilicate glass - 143mm (5.63”) long x 23mm (0.91”) high net aperture - 9.5mm (0.93”) thick

Light dimensions = 164mm (6.46”) long x 44mm (1.73”) high x 29mm (1.14”) thick - 216 grams (0.5 lbs)

Light construction = Black nylon and black thermoplastic

Power source = 11-28VDC input range - 1.47 Amps max - Operating temperature from -30°C (-22°F) to 50°C (122°F)

Troubleshooting:

Please contact our technical support staff in Florida at 1-954-760-4447, Monday to Friday from 8:00 am to 5:00 pm EST.

Warranty:

Underwater Lights® USA, LLC warrants this light to be free from defects in workmanship and materials for a period of two years from the date of original purchase. Further, misuse, abuse, improper installation, neglect, improper shipping, damage caused by disasters such as fire, flood and lightning, unauthorized repair or modifications will void said warranty. Should your light prove defective during the warranty period, promptly contact Underwater Lights® USA, LLC for an RMA number and then return the light freight prepaid with the RMA number clearly marked on the outside of the shipping container.

Underwater Lights USA, LLC
1881 W State Road 84, Bay 102
Fort Lauderdale, FL 33315 USA
Phone: 1-954-760-4447
Fax: 1-954-525-3261
Internet: www.seavision.com
Email: sales@seavision.com

DOC:111807-6

Underwater Lights Europe Sarl
Résidence L'Hippocampe: 19, Avenue Thiers
06600 Antibes, France
Phone: 33-(0)-4-97-21-02-96
Fax: 33-(0)-4-97-21-10-96
Internet: www.seavision.com
Email: sales@seavisioneurope.com

SV44 Light

SURFACE MOUNTED, LED ARRAY,
12VDC or 24VDC



Installation:

This light should be installed at least 125-150mm (5-6") below the water line by qualified/approved personnel using proper tools and materials. The placement of surface mounted underwater lights on the hull bottom or sides is not recommended. **Important!**

To prevent lense breakage, mounting surface must be flat and have no raised imperfections. To prevent mounting tab breakage, carefully and evenly tighten the three Phillips Pan Head Screws (11) by hand using a screwdriver (do not use power tools!).

For cable existing at top - After selecting an appropriate flat surface on the vessel hull, attach the light using three Phillips Pan Head Screws (11) and 3M 5200 marine adhesive or equivalent. Note: Depending upon installation surface material, three small pilot holes may be required. Caution! Check that no electrical wiring, fuel lines, oil lines, water lines etc., pass near the desired mounting location.

For cable existing at back - After selecting an appropriate flat surface on the vessel hull, drill an 8mm (5/16") diameter hole through said surface for electrical cable routing then attach the light using three Phillips Pan Head Screws (11) and 3M 5200 marine adhesive or equivalent. Note: Depending upon installation surface material, three small pilot holes may be required. Caution! Check that no electrical wiring, fuel lines, oil lines, water lines etc., pass near the desired mounting location.

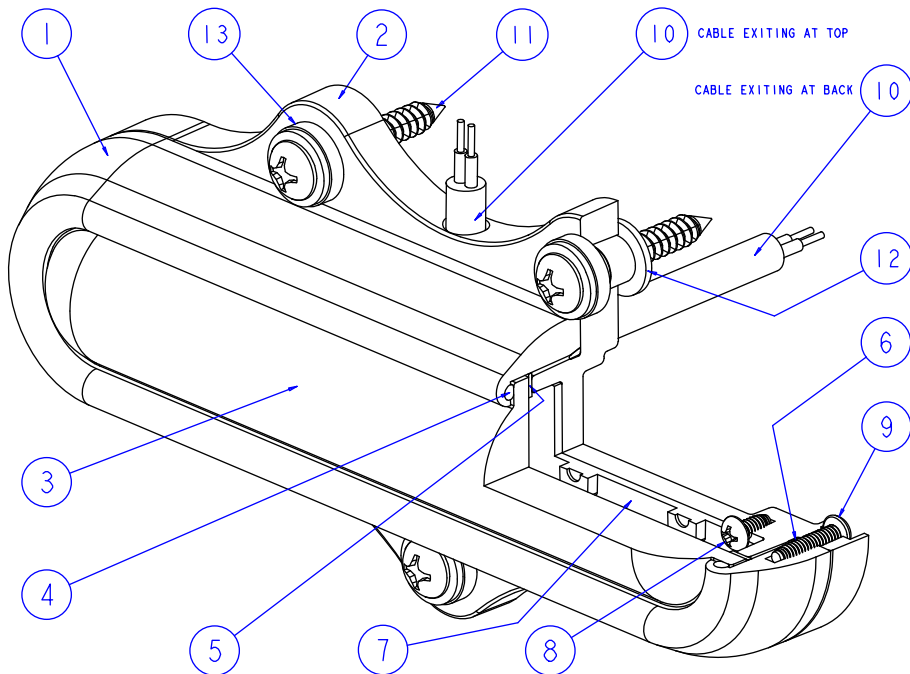
Route Electrical Cable (10) above the water line (or thru vessel hull) and into the vessel proper, then secure accordingly. Caution! Avoid making tight bends and/or passing electrical cable over sharp edges/surfaces. Connect RED wire lead to a switched and fused power source and connect BLACK wire lead to a good ground.

Serviceable Parts:

LED Array (7) and Electrical Cable (10) are not field serviceable on this light. However, Lense (3), Lense O-ring (4), Glass Gasket (5) and Back Cover O-ring (6) can be replaced by removing ten Phillips Pan Head Screws (9) and carefully separating Front Flange (1) from Back Cover (2). Note: Evenly hand tighten the ten Phillips Pan Head Screws (9) after carefully re-assembling said parts.

CABLE EXITING AT TOP - MODEL G18M15Z25-99Z99Z-23 WHITE, 12/24VDC
 CABLE EXITING AT TOP - MODEL G18M15Z26-99Z99Z-23 BLUE, 12/24VDC
 CABLE EXITING AT BACK - MODEL G18M15Z25-99Z99Z-24 WHITE, 12/24VDC
 CABLE EXITING AT BACK - MODEL G18M15Z26-99Z99Z-24 BLUE, 12/24VDC

BALLOON	PART	DESCRIPTION
1	44006	FRONT FLANGE
2	44062	BACK COVER
3	44011	LENSE
4	44045	LENSE O-RING
5	44034	GLASS GASKET
6	44046	BACK COVER O-RING
7	44047 44048	WHITE LED ARRAY BLUE LED ARRAY
8	44058	No. 4-24 x 1/4 LG SST PPHS
9	44067	No. 4-24 x 1/2 LG SST PPHS
10	44050	ELECTRICAL CABLE
11	44061	No. 10 x 1-1/4" LG SST PPHS
12	44068	TAB BUSHING
13	44069	TAB WASHER



Underwater Lights USA, LLC
 1881 W State Road 84, Bay 102
 Fort Lauderdale, FL 33315 USA
 Phone: 1-954-760-4447
 Fax: 1-954-525-3261
 Internet: www.seavision.com
 Email: sales@seavision.com

Underwater Lights Europe Sarl
 Résidence L'Hippocampe: 19, Avenue Thiers
 06600 Antibes, France
 Phone: 33-(0)-4-97-21-02-96
 Fax: 33-(0)-4-97-21-10-96
 Internet: www.seavision.com
 Email: sales@seavisioneurope.com