



This light can be surface mounted or flush mounted using a weld-in insert in aluminum 5083 or stainless steel 316 L. It should be used for any area needing general high powered LED lighting as a flood or spot light as well as helidecks. The bolted bezel is machined stainless steel 316 L and ensures a strong exterior for exposed areas. It is available with clear lens. This light uses the best quality materials and is designed for longevity and tested for water tightness to IP66. The DV41 is available in 12 or 24 volt LED white, blue, green or red.

CUSTOM LIGHT
SPECIAL ORDER ONLY



DV41 technical specifications

Application for:	Helidecks and general deck lighting
Finish:	Polished stainless steel 316 L
Bezel:	Bolted
Glass lens:	Clear
Power supply:	12 volt d.c - 1.4 amps 24 volt d.c - 0.73 amps
Lamp:	Six LED modules Available in white, blue, green and red
Dimensions:	Bezel: 3.74" / 95mm Depth: 3.5" / 88mm Cut-out: 2.5" / 64mm
IP rating:	66
Options:	Welded insert for flush mounting

*All information is subject to change without prior notice,
please confirm details prior to ordering.*

*For further technical installation information,
please visit www.seavision.com*

DV41 LED Floodlight

12VDC/24VDC
(Six LED)



Introduction:

Congratulations on the purchase of your new LED floodlight. Underwater Lights® USA, LLC takes pride in providing well designed, high quality and thoroughly tested lights that allow you to “enhance your boating experience”. These lights can be installed in your vessel for aesthetics, security and safety.

General Operating Information:

The commercial grade Light Emitting Diode (LED) technology used in this light will provide robust and reliable operation under normal operating conditions.

General Safety Information:

This light is intended for vessel exterior (rain or indirect water spray) lighting applications.

Always disconnect and lock-out power before working on light.

Technical Specifications:

Light source = White LED array - 6500 Kelvin color temperature - Approximately 10,000 hours life

Available LED colors = Red, Green or Blue

Glass = Clear borosilicate glass - 6.4mm (0.25”) thick - 55.5mm (2.19”) diameter net aperture

Light dimensions = 95mm (3.74”) diameter x 69mm (2.72”) long - 741 grams (1.6 lbs) - Fits through a 64mm (2.5”) diameter hole

Construction = Stainless steel - Clear anodized marine aluminum alloy

Power source = 12VDC - 1.4 Amps, 24VDC - 0.73 Amps

Troubleshooting:

Please contact our technical support staff in Florida at 1-954-760-4447, Monday to Friday from 8:00 am to 5:00 pm EST.

Warranty:

Underwater Lights® USA, LLC warrants this light to be free from defects in workmanship and materials for a period of one year from the date of original purchase (except LED's). Further, misuse, abuse, improper installation, neglect, improper shipping, damage caused by disasters such as fire, flood and lightning, unauthorized repair or modifications will void said warranty. Should your light prove defective during the warranty period, promptly contact Underwater Lights® USA, LLC for an RMA number and then return the light freight prepaid with the RMA number clearly marked on the outside of the shipping container.

Underwater Lights USA, LLC
1881 W State Road 84, Bay 102
Fort Lauderdale, FL 33315 USA
Phone: 1-954-760-4447
Fax: 1-954-525-3261
Internet: www.seavision.com
Email: sales@seavision.com

DOC:072707-1

Underwater Lights Europe Sarl
Résidence L'Hippocampe: 19, Avenue Thiers
06600 Antibes, France
Phone: 33-(0)-4-97-21-02-96
Fax: 33-(0)-4-97-21-10-96
Internet: www.seavision.com
Email: sales@seavisioneurope.com

DV41 LED Floodlight

12VDC/24VDC
(Six LED)



Installation:

After selecting a flat surface at the desired mounting location, cut a 64mm (2.5") diameter hole through said surface. Caution! Check that no electrical wiring, fuel lines, oil lines, water lines etc., pass near or through the intended hole location.

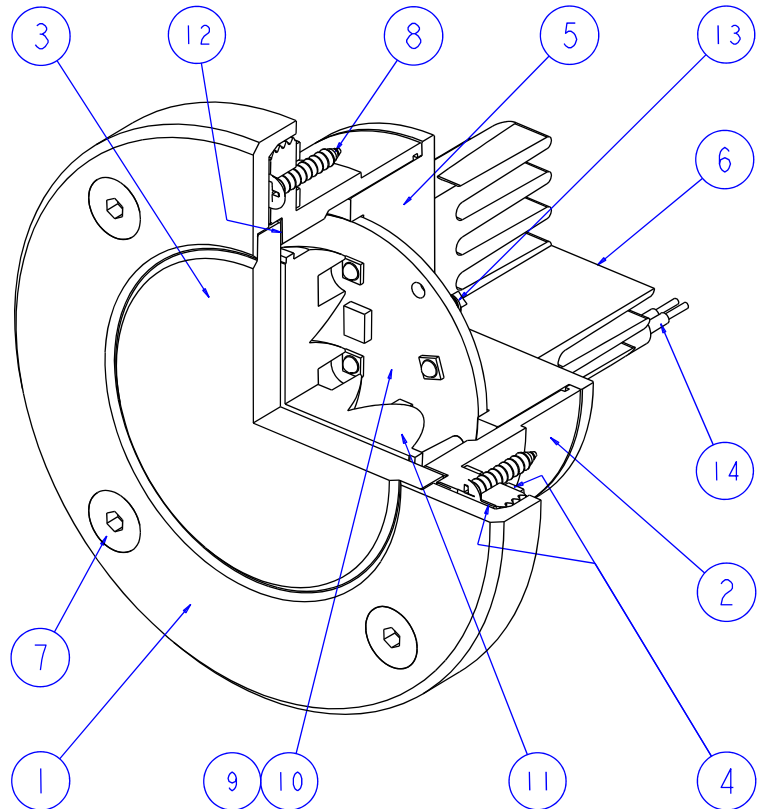
Remove Screws (7), Body Gaskets (4), Front Flange (1) and Phillips Flat Head Screws (8) from Main Body (2). Place Main Body (2) with first Body Gasket (4) through above hole and secure using Phillips Flat Head Screws (8). Note: Depending upon installation surface material, four small pilot holes may be required. Install second Body Gasket (4) and Front Flange (1) onto Main Body (2) and secure in place using Screws (7).

Connect the RED wire lead to a switched and fused power source and connect the BLACK wire lead to a good ground.

Serviceable Parts:

Four fasteners (7) and Front Flange (1) can be removed to clean Glass (3) and 6-Up Lense (11). Note: Two M6 x 1.0 fasteners can be screwed into Front Flange (1) holes to assist removal from Main Body (2). LED Array (9) and attached 6-Up Lense (11) are not field serviceable on this light. Additionally, Glass (3) is not field serviceable because it is permanently bonded to Front Flange (1).

MODEL 17B10A21B30F20, 12VDC/24VDC		
BALLOON	PART	DESCRIPTION
1	41001	FRONT FLANGE, STAINLESS STEEL, MIRROR FINISH*
2	41010	MAIN BODY, STAINLESS STEEL*
3	41013	GLASS, CLEAR*
4	41014	BODY GASKET
5	41086	LED ARRAY HOLDER
6	41087	FINNED HEAT SINK
7	41016	M5 x 0.8 x 8 LG STAINLESS STEEL SOCKET FLAT HEAD SCREW
8	41017	No. 4 x 5/8" LG STAINLESS STEEL PHILIPS FLAT HEAD SCREW
9	41089	WHITE LED ARRAY*
10	41076	M2 x 0.4 x 5 LG STAINLESS STEEL PHILLIPS PAN HEAD SCREW
11	41078	NARROW BEAM 6-UP LENSE*
12	41051	GLASS GASKET
13	41088	M4 x 0.7 x 10 LG STAINLESS STEEL CONE POINT SET SCREW
14	41077	ELECTRICAL CABLE
*PLEASE CALL FOR OTHER LIGHT COMPONENT CONFIGURATIONS		



Underwater Lights USA, LLC
1881 W State Road 84, Bay 102
Fort Lauderdale, FL 33315 USA
Phone: 1-954-760-4447
Fax: 1-954-525-3261
Internet: www.seavision.com
Email: sales@seavision.com

DOC:072707-1

Underwater Lights Europe Sarl
Résidence L'Hippocampe: 19, Avenue Thiers
06600 Antibes, France
Phone: 33-(0)-4-97-21-02-96
Fax: 33-(0)-4-97-21-10-96
Internet: www.seavision.com
Email: sales@seavisioneurope.com