



The Dock Vision DV24 model is a submersible halogen or LED light designed to be fastened to underwater structures to illuminate the water.

DV24 technical specs

Application for:	underwater docks, pilings, marinas waterside restaurants and houses
Bezel:	screwed
Glass Lens:	clear
Power Supply:	12v a.c./d.c. - 8 amps - halogen 12v a.c./d.c. - 1 amp - LED <i>Call technical support for step down transformer option if you do not have 12V available</i>
Lamp:	100 watt halogen 10 watt LED
Life Length:	Approx. 3,000 hours - halogen Approx. 10,000 hours - LED
Reflector:	45 degree wide angle flood - halogen
Dimensions:	Bezel: 5.6" / 142mm Depth: 3.35" / 85mm
Construction:	Gray PVC body components and Stainless Steel mounting components
Installation:	Fastened to a flat surface by way of two mounting brackets
Maximum Depth:	6.5 feet / 2 meters

*Note: All information is subject to change without prior notice,
please confirm details prior to ordering.*



DV24 Light

12VDC/100W



Introduction:

Congratulations on the purchase of your new dock light. Underwater Lights® USA, LLC takes pride in providing well designed, high quality and thoroughly tested lights that allow you to “enhance your boating experience”. These lights can be installed on your dock for aesthetics, security and safety.

General Operating Information:

The commercial grade Halogen lamp used in this light will provide robust and reliable operation under normal operating conditions.

Call technical support for step down transformer option if you do not have 12V available.

General Safety Information:

This light is intended for underwater lighting applications having a maximum depth of 2 meters or 6.5 feet.

Always disconnect and lock-out power before working on light.

Technical Specifications:

Lamp = 100 Watt - Halogen - 2800 Luminous intensity - 3000 Kelvin color temperature - Approximately 3,000 hours life

Glass = Clear borosilicate glass - 4.8mm (0.19”) thick - 100mm (3.9”) diameter net aperture

Dimensions = 142mm (5.59”) diameter x 85mm (3.3”) long - 1063 grams (2.3 lbs)

Construction = Gray PVC body components - Stainless Steel mounting components

Power supply = 12V AC/DC – 8 amps

Troubleshooting:

Please contact our technical support staff in Florida at 1-954-760-4447, Monday to Friday from 8:00 am to 5:00 pm EST.

Warranty:

Underwater Lights® USA, LLC warrants this light to be free from defects in workmanship and materials for a period of one year from the date of original purchase (except lamps). Further, misuse, abuse, improper installation, neglect, improper shipping, damage caused by disasters such as fire, flood and lightning, unauthorized repair or modifications will void said warranty. Should your light prove defective during the warranty period, promptly contact Underwater Lights® USA, LLC for an RMA number and then return the light freight prepaid with the RMA number clearly marked on the outside of the shipping container.

Underwater Lights USA, LLC
1881 W State Road 84, Bay 102
Fort Lauderdale, FL 33315 USA
Phone: 1-954-760-4447
Fax: 1-954-525-3261
Internet: www.seavision.com
Email: sales@seavision.com

DOC:102306-5

Underwater Lights Europe Sarl
Résidence L'Hippocampe: 19, Avenue Thiers
06600 Antibes, France
Phone: 33-(0)-4-97-21-02-96
Fax: 33-(0)-4-97-21-10-96
Internet: www.seavision.com
Email: sales@seavisioneurope.com

DV24 Light

12VDC/100W



Installation:

Ensure that the light will be submerged at low tide (if applicable), then select a flat mounting surface for the light and secure by way of two Mounting Bracket (5) holes. Set desired light illumination position then tighten fasteners (10) and (11) accordingly. Caution! Route light electrical cable away from any sharp edges.

Connect light to a suitable 12 VDC fused and switched power source.

Unscrew the Front Flange (2) from the Main Body (1), remove Lamp Spring Clip (3), remove Lamp (8) from Main Body (1), pass cable through Cable Strain Relief (9) and tighten, connect wire leads to Lamp (8) push-on terminals, insert Lamp (8) into Main Body (1), install Lamp Spring Clip (3) and screw Front Flange (2) onto Main Body (1) hand tight. Caution! Ensure that the new lamp is clean and free of dust, dirt, grease, oil, water and finger prints. Additionally, ensure that Body Gasket (7), Front Flange (2) and Main Body (1) sealing surfaces are clean.

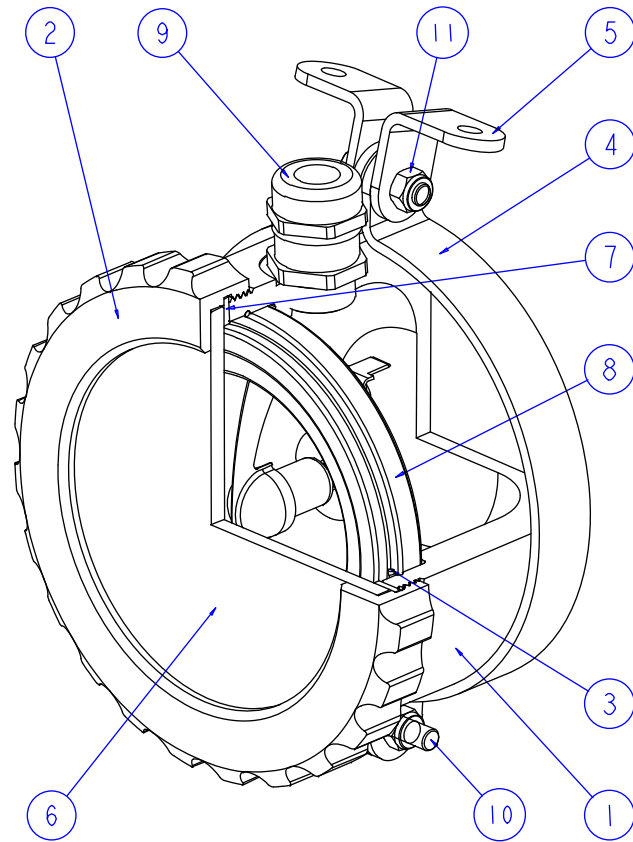
Serviceable Parts:

Lamp (8) replacement is done by unscrewing the Front Flange (2) from the Main Body (1), removing Lamp Spring Clip (3), removing old Lamp (8) from Main Body (1), disconnecting wire leads from old lamp and connecting wire leads to new lamp, inserting new Lamp (8) into Main Body (1), installing Lamp Spring Clip (3) and screwing Front Flange (2) onto Main Body (1) hand tight. Caution! Ensure that the new lamp is clean and free of dust, dirt, grease, oil, water and finger prints. Ensure that Body Gasket (7), Front Flange (2) and Main Body (1) sealing surfaces are clean before assembly. Additionally, the Glass (6) can be removed and replaced from the Front Flange (2) on this light.

MODEL 12H21H19B52A, 12VDC/100W

BALLOON	PART	DESCRIPTION
1	24005	MAIN BODY, GRAY PVC*
2	24011	FRONT FLANGE, GRAY PVC*
3	24013	LAMP SPRING CLIP
4	24014	C-CLAMP, STAINLESS STEEL*
5	24018	MOUNTING BRACKET, STAINLESS STEEL*
6	24022	GLASS
7	24023	BODY GASKET
8	24024	LAMP, 100 WATT, 45° BEAM ANGLE, 12VDC*
9	24027	CABLE STRAIN RELIEF
10	24028	M6 x 1.0 x 20 LG STAINLESS STEEL SOCKET HEAD CAP SCREW
11	24029	M6 x 1.0 STAINLESS STEEL HEX LOCKNUT

*PLEASE CALL FOR OTHER LIGHT COMPONENT CONFIGURATIONS



Underwater Lights USA, LLC
 1881 W State Road 84, Bay 102
 Fort Lauderdale, FL 33315 USA
 Phone: 1-954-760-4447
 Fax: 1-954-525-3261
 Internet: www.seavision.com
 Email: sales@seavision.com

DOC:102306-5

Underwater Lights Europe Sarl
 Résidence L'Hippocampe: 19, Avenue Thiers
 06600 Antibes, France
 Phone: 33-(0)-4-97-21-02-96
 Fax: 33-(0)-4-97-21-10-96
 Internet: www.seavision.com
 Email: sales@seavisioneurope.com

DV24 Light, 12VDC LED Lamp



Introduction:

Congratulations on the purchase of your new LED dock light. Underwater Lights® USA, LLC takes pride in providing well designed, high quality and thoroughly tested lights that allow you to “enhance your boating experience”. These lights can be installed on your dock for aesthetics, security and safety.

General Operating Information:

The commercial grade LED lamp used in this light will provide robust and reliable operation under normal operating conditions.

Call technical support for step down transformer option if you do not have 12V available.

General Safety Information:

This light is intended for underwater lighting applications having a maximum depth of 2 meters or 6.5 feet.

Always disconnect and lock-out power before working on light.

Technical Specifications:

Lamp = 10 Watt - six LED's - 2300 Luminous intensity - 4000 Kelvin color temperature - Approximately 10,000 hours life

Glass = Clear borosilicate glass - 4.8mm (0.19”) thick - 100mm (3.9”) diameter net aperture

Dimensions = 142mm (5.59”) diameter x 85mm (3.3”) long - 1063 grams (2.3 lbs)

Construction = Gray PVC body components - Stainless Steel mounting components

Power supply = 12V AC/DC - 1 amp

Troubleshooting:

Please contact our technical support staff in Florida at 1-954-760-4447, Monday to Friday from 8:00 am to 5:00 pm EST.

Warranty:

Underwater Lights® USA, LLC warrants this light to be free from defects in workmanship and materials for a period of one year from the date of original purchase (except lamps). Further, misuse, abuse, improper installation, neglect, improper shipping, damage caused by disasters such as fire, flood and lightning, unauthorized repair or modifications will void said warranty. Should your light prove defective during the warranty period, promptly contact Underwater Lights® USA, LLC for an RMA number and then return the light freight prepaid with the RMA number clearly marked on the outside of the shipping container.

DV24 Light, 12VDC LED Lamp



Installation:

Ensure that the light will be submerged at low tide (if applicable), then select a flat mounting surface for the light and secure by way of two Mounting Bracket (5) holes. Set desired light illumination position then tighten fasteners (10) and (11) accordingly. Caution! Route light electrical cable away from any sharp edges.

Connect light to a suitable 12 VDC fused and switched power source.

Unscrew the Front Flange (2) from the Main Body (1), remove Lamp Spring Clip (3), remove Lamp (8) from Main Body (1), pass cable through Cable Strain Relief (9) and tighten, connect wire leads to Lamp (8) push-on terminals, insert Lamp (8) into Main Body (1), install Lamp Spring Clip (3) and screw Front Flange (2) onto Main Body (1) hand tight. Caution! Ensure that Body Gasket (7), Front Flange (2) and Main Body (1) sealing surfaces are free of dust, dirt, grease, oil and water.

Serviceable Parts:

Lamp (8) replacement is done by unscrewing the Front Flange (2) from the Main Body (1), removing Lamp Spring Clip (3), removing old Lamp (8) from Main Body (1), disconnecting wire leads from old lamp and connecting wire leads to new lamp, inserting new Lamp (8) into Main Body (1), installing Lamp Spring Clip (3) and screwing Front Flange (2) onto Main Body (1) hand tight. Caution! Ensure that Body Gasket (7), Front Flange (2) and Main Body (1) sealing surfaces are clean before assembly. Additionally, the Glass (6) can be removed and replaced from the Front Flange (2) on this light.

MODEL 12H21H21B61A, 12VDC LED LAMP		
BALLOON	PART	DESCRIPTION
1	24005	MAIN BODY, GRAY PVC*
2	24011	FRONT FLANGE, GRAY PVC*
3	24013	LAMP SPRING CLIP
4	24014	C-CLAMP, STAINLESS STEEL*
5	24018	MOUNTING BRACKET, STAINLESS STEEL*
6	24022	GLASS
7	24023	BODY GASKET
8	24038	LED LAMP, 10 WATT, 40° FIELD ANGLE, 12VDC
9	24027	CABLE STRAIN RELIEF
10	24028	M6 x 1.0 x 20 LG STAINLESS STEEL SOCKET HEAD CAP SCREW
11	24029	M6 x 1.0 STAINLESS STEEL HEX LOCKNUT
*PLEASE CALL FOR OTHER LIGHT COMPONENT CONFIGURATIONS		

